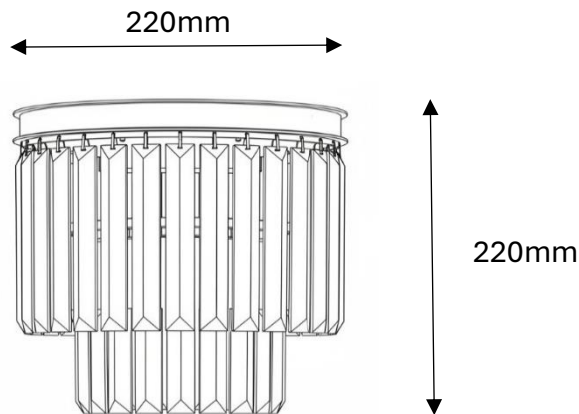


## **MARF** Modern Crystal Wall Light (Brass)

J65WG-2L



- Finishes/ Material: Brushed Brass Metal & Clear Crystal
- Input Voltage: 220-240V
- Wattage Max.: 50W (2 x 25W)
- Assembly: Hanging Glass Stick Required
- Approval: Standards Australia Approvals (SAA) & RCM
- IP Rating: IP20 (For Indoor Use Only)
- Warranty: 2 Years

### **Globes:**

- Globe Type: E14 x 2pcs (E14 bulb not included)

### **Product Dimensions:**

- Width: 220mm
- Depth: 140mm
- Height: 220mm
- Weight: 2kg approx.
- Canopy Size: 130 x 130 x 25mm
- Crystal Size: 20 x 120mm

\* Must be installed by a licenced electrician \*

