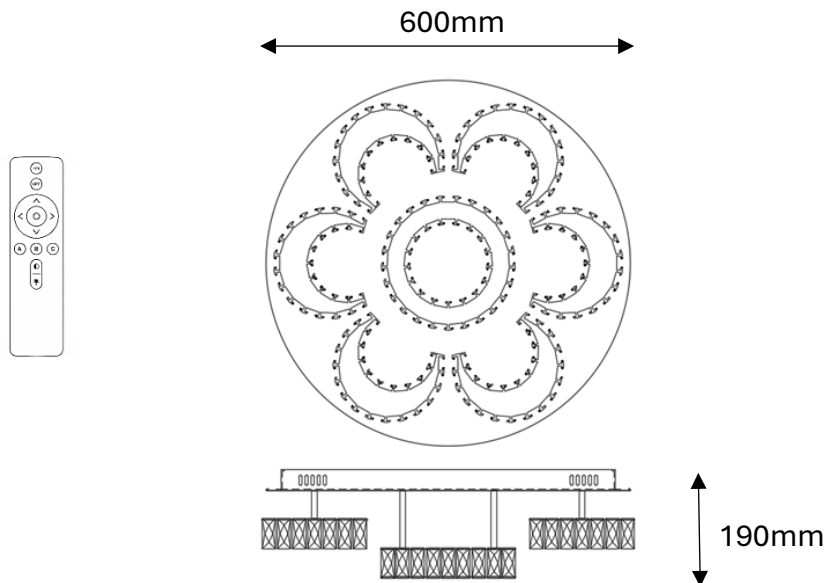


## FRED Crystal Ceiling Light Tri-Colour LED 600mm

J40C-600



- Finishes/ Material: Gloss Chrome Stainless Steel / Clear & Amber Crystal
- Input Voltage/ Wattage: 220-240V / 70W LED – Lumens
- Assembly: Assembled
- Approval: Standards Australia Approvals (SAA) & RCM
- IP Rating: IP20 (For Indoor Use Only)
- Warranty: 2 Years

### **Globes:**

- Globe Type: Integrated LED 70W
- Colour Temperature: Tri-Colours LED (Warm White 3000K/ Cool White 4000K/ Daylight 6000K)
- Remote Control: Yes (LED colour changed and dimmable by remote control)

### **Product Dimensions:**

- Width:  $\Phi 600\text{mm}$
- Height: 190mm
- Weight: 11kg approx.
- Canopy Size:  $\Phi 600 \times \text{H}40\text{mm}$
- Rectangle Crystal Size: 22 x 50mm

\* Must be installed by a licenced electrician \*

