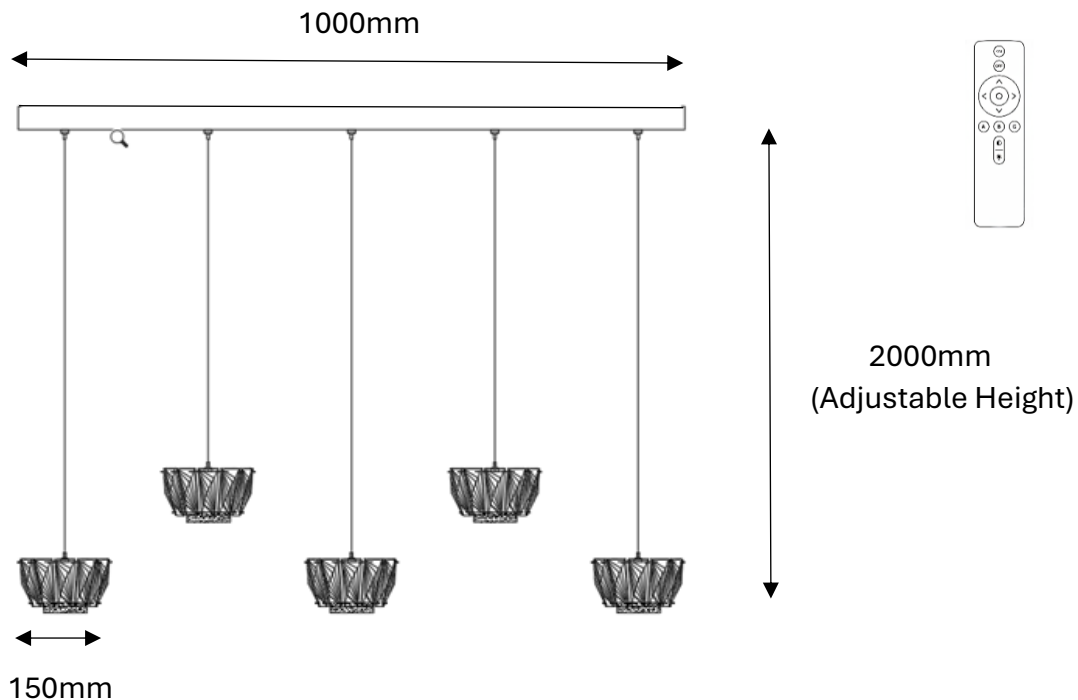


## ONANA 5 Light Crystal Pendant Tri-Colour LED (Chrome)

J03PS-1000



- Finishes/ Material: Gloss Chrome Stainless Steel & Clear Crystal
- Input Voltage/ Wattage: 220-240V / 40W LED
- Assembly: Assembled
- Approval: Standards Australia Approvals (SAA) & RCM
- IP Rating: IP20 (For Indoor Use Only)
- Warranty: 2 Years

### **Globes:**

- Globe Type: Integrated LED 40W – Lumens 2400
- Colour Temperature: Tri-Colours LED (Warm White 3000K/ Cool White 4000K/ Daylight 6000K)
- Remote Control: Yes (LED colour changed and dimmable by remote control)

### **Product Dimensions:**

- Length: 1000mm
- Height: Max 2000mm (Adjustable cable)
- Weight: 6kg approx.
- Canopy Size: L980 x W110 x H40mm

\* Must be installed by a licenced electrician \*

