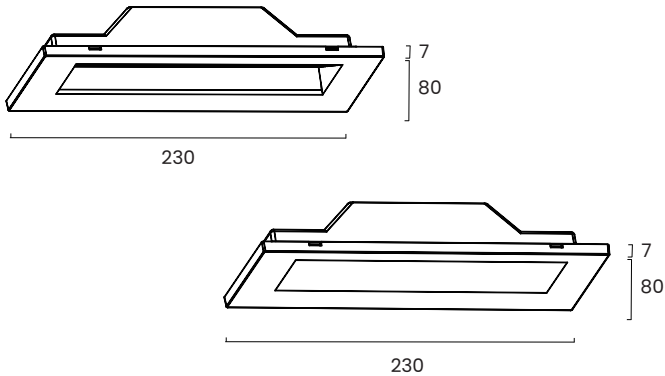


Dimension



Specification

Item Name	INGAR EXRE-AG-BK	INGAR EXRE-OP-BK
Input Voltage	220-240V ~ 50Hz	
Watt	6w	6w
Lumen	170Lm*	300Lm*
CCT	2700K-3200K-4000K*	
CRI	>90	
Dimmable	NON-DIMMABLE	
IP Rating	IP65	
Dimensions (mm)	L:230 x H:80 x P:7	L:230 x H:80 x P:7

Installation

(The product must be installed by a licensed electrician)

- 1 Turn mains power OFF.
- 2 Pre-embedded the junction box.
- 3 Remove cover from fitting.
- 4 Connect the cable wire.
- 5 Select desired colour temperature via switch.
- 6 Use the screws to install the light into the junction box.
- 7 Put the cover into the lamp body. Ensure the cover has firmly clicked into the light.
- 8 Turn mains power ON.



Installation must be performed by a qualified Electrical Contractor in accordance with the current wiring standard AS/NZS3000.
3 YEAR REPLACEMENT WARRANTY*
 with Proof of purchase and electrical installation certificate.