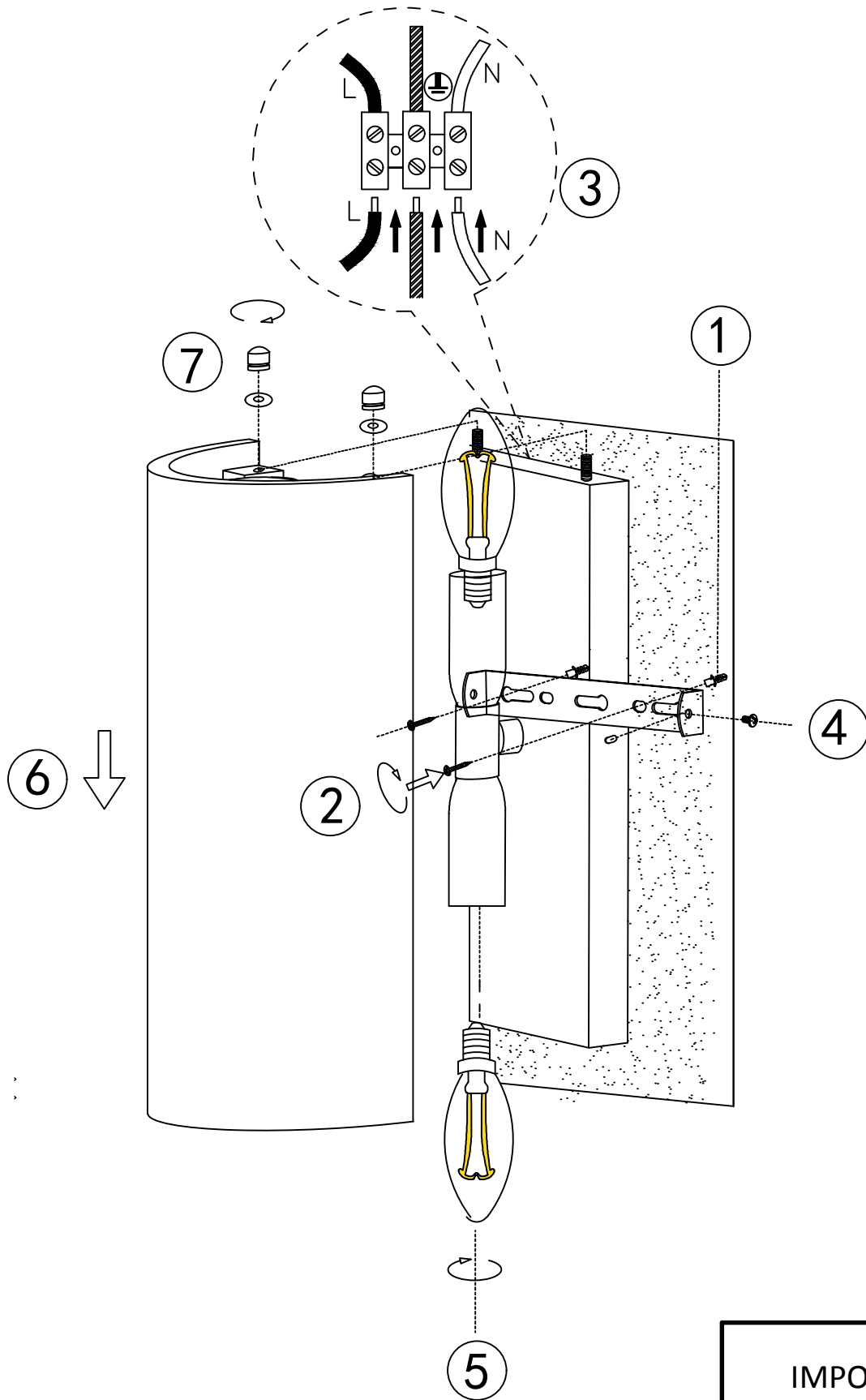


ITEM NO.: IMPERO WB



IP20

240V - 50Hz E14 Max.25Wx2

Telbix.

NOTE: GLOBE NOT INCLUDED

IMPORTANT
Must be installed by
a qualified electrical
contractor.
Install in accordance
with AS/NZS3000