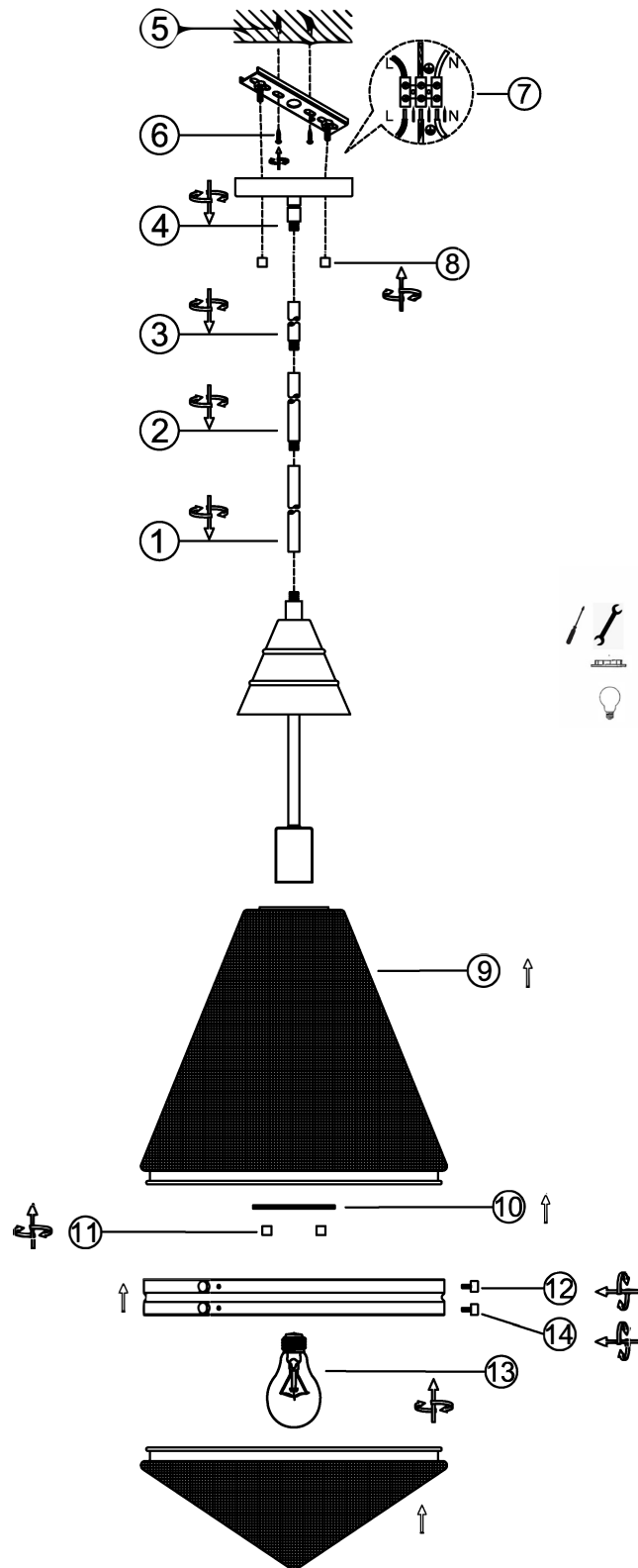


ITEM NO.:HARNON PE1



Disclaimer:
Tools not included
Shade ring attached on lamp holder
Globe(s) not included

240V ~ 50Hz E27 Max.25Wx1
NOTE: GLOBE NOT INCLUDED

IMPORTANT
Must be installed by
a qualified electrical
contractor. Install in
accordance with
AS/NZS3000