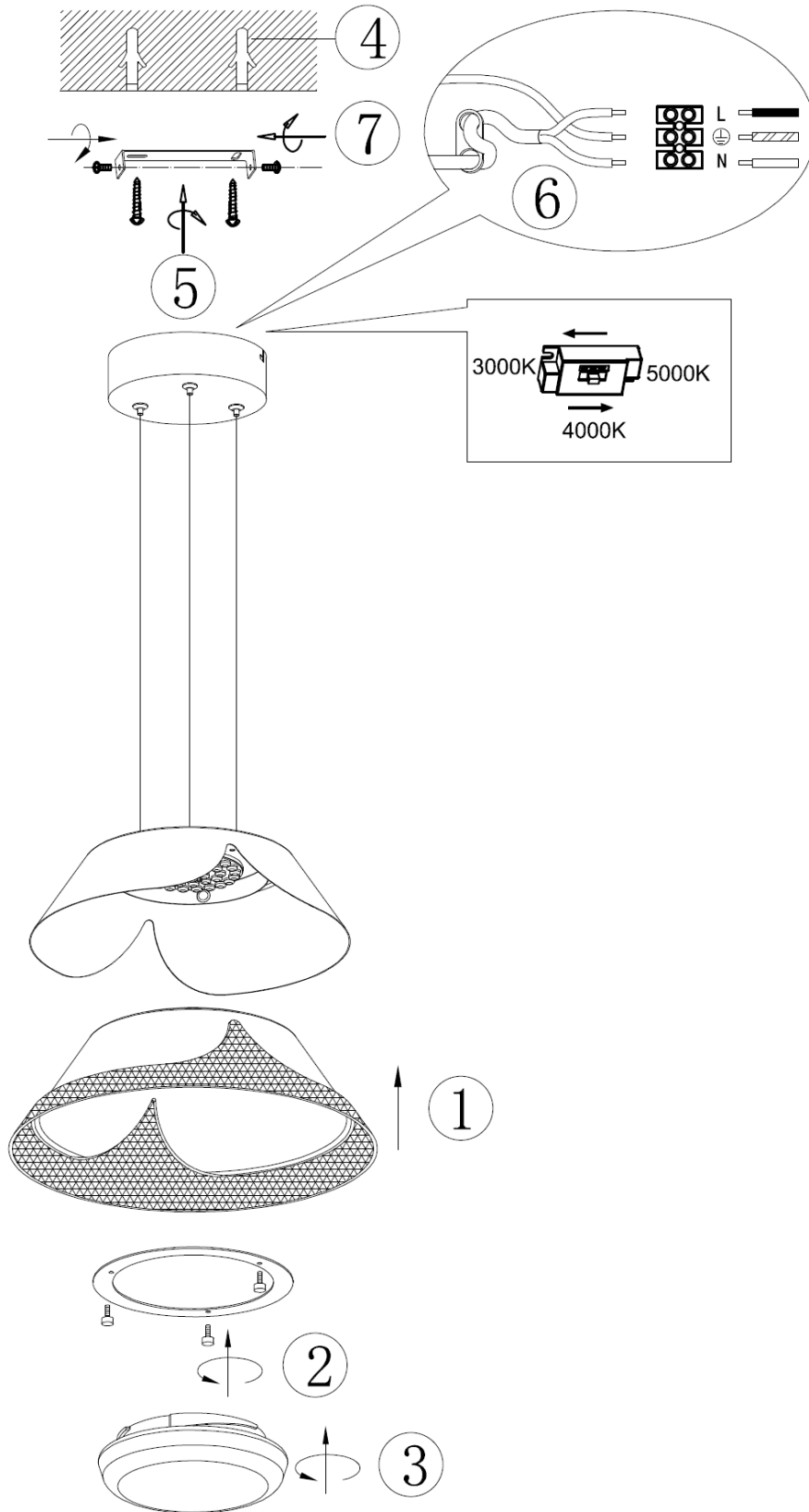


# ITEM NO.: HALIFAX PE50



IP20

**Telbix.**

240V ~ 50Hz LED 32W

3000K-4000K-5000K 3CCT

TRAILING EDGE DIMMER

### IMPORTANT

Must be installed by a qualified electrical contractor.

Install in accordance with AS/NSZ3000.