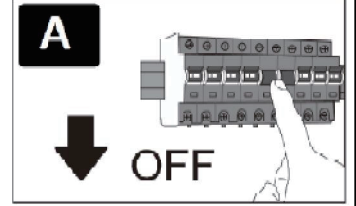
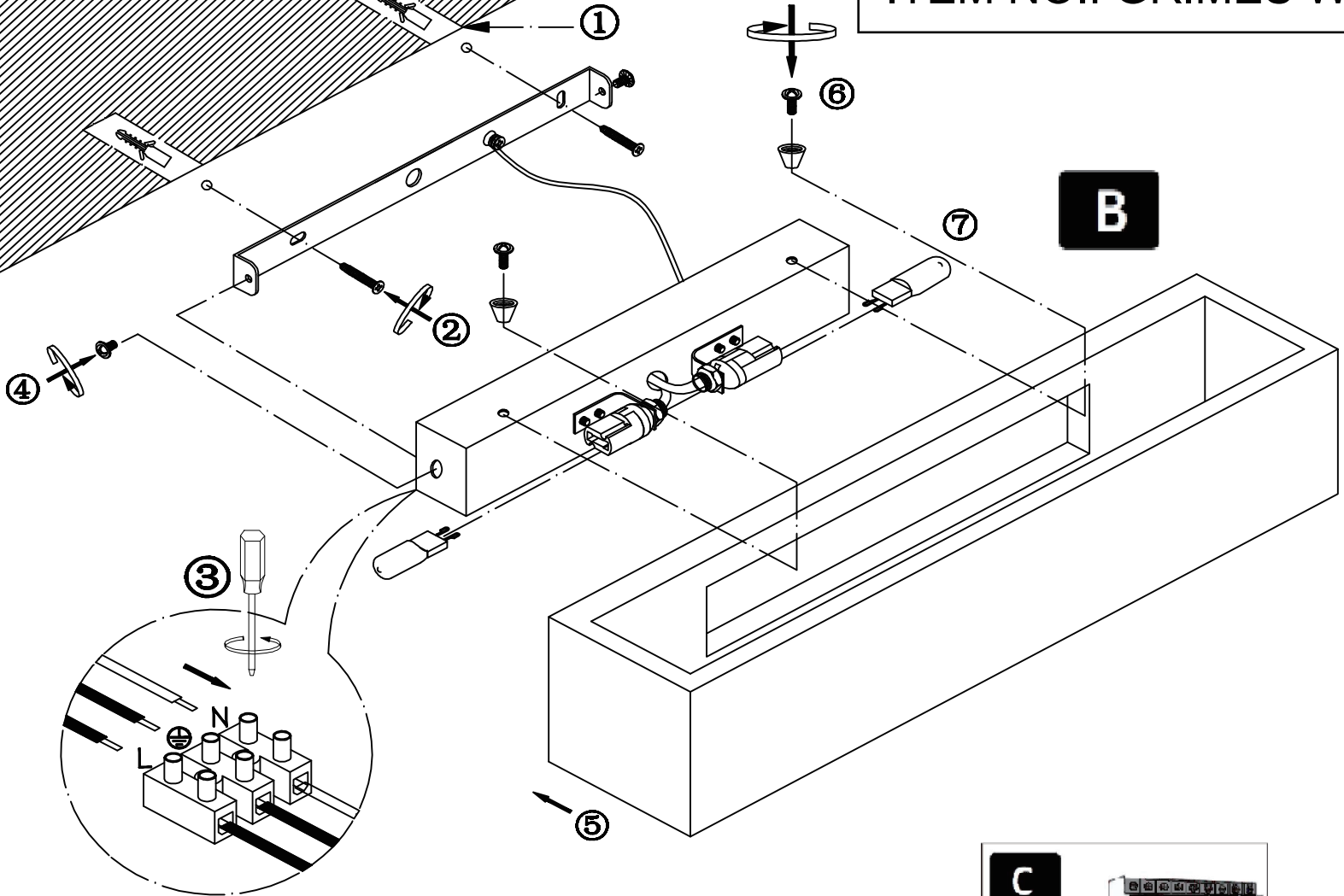


ITEM NO.: GRIMES WB-WH

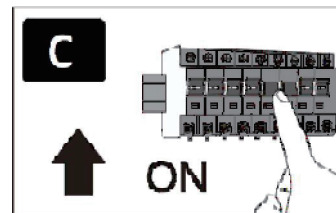


B



Disclaimer:
Tools not included

IMPORTANT
Must be installed by
a qualified electrical
contractor.
Install in accordance
with AS/NZS3000



Telbix.

240V~50Hz 2x9wG9max.

NOTE: GLOBE NOT INCLUDED

