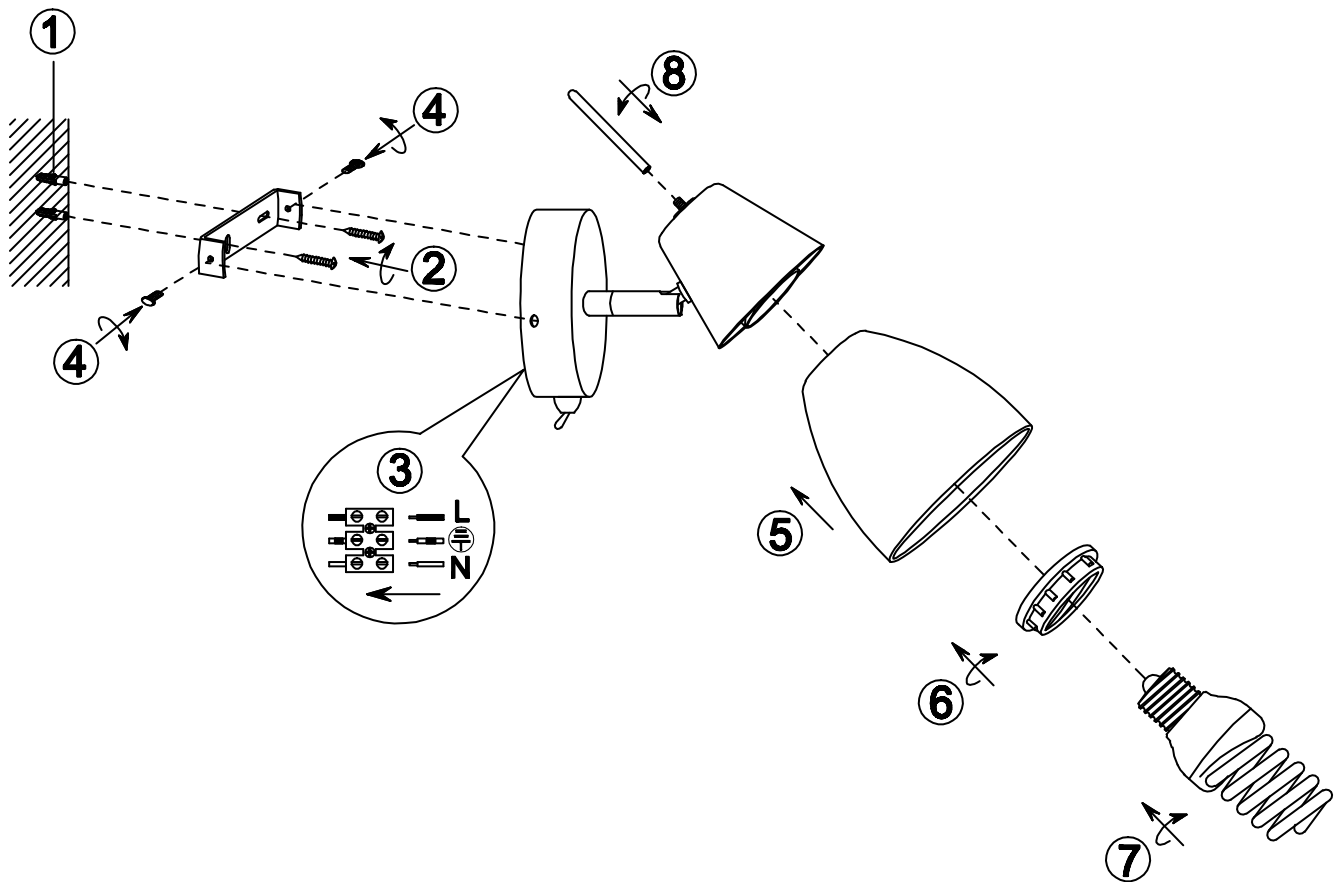


# ITEM NO.: GIBSON WB






240V~50Hz E27 max. 14W

NOTE: GLOBE NOT INCLUDED



**Telbix.**

- Disclaimer:
-  Tools not included
  -  Shade ring attached on lamp holder
  -  Globe(s) not included

**IMPORTANT**  
Must be installed  
by a qualified  
electrical contractor.  
Install in accordance  
with AS/NZ3000