

Telbix. INSTALLATION

Item Name	Input (V)/(Hz)	Power (W)	Lumens (lm)	CCT (K)
GENARO W61-3CCT	240/50	10/20	1100/2200	3000/4000/5700
GENARO W115-3CCT	240/50	18/36	1980/3960	3000/4000/5700



GENERAL INSTRUCTION

Please read the operating instructions for this luminaire before use. The operating instructions are part of the product. They contain important notes on start-up and handling of the fixture. Always keep the enclosed operating instructions. They should be passed on to third parties.

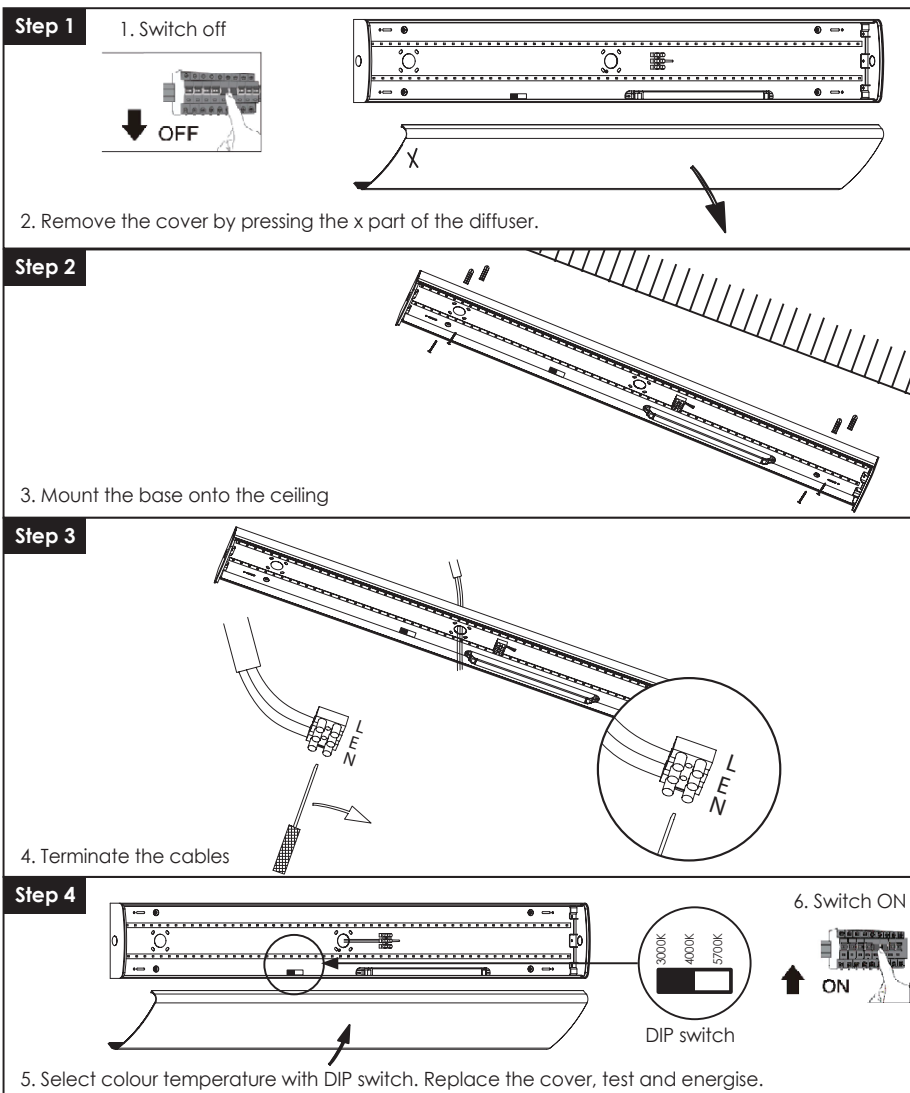
SAFETY PRECAUTIONS

The user must observe the safety notes and warnings in order to maintain and ensure safe operations. Ensure sufficient ventilation of the device. Never cover it during operation. Do not install in reach of children. Any use of the device other than described above can damage the product or endanger the user due to electric shock, fire or short circuit. The entire product may not be modified.

IMPORTANT:

Please check product carefully before installation. **DO NOT INSTALL** if the product has visible damage or faulty.

ALL ELECTRICAL INSTALLATIONS MUST BE PERFORMED BY A QUALIFIED ELECTRICAL CONTRACTOR AND INSTALLED IN ACCORDANCE WITH AS/NZS 3000. 3 YEAR REPLACEMENT WARRANTY* with Proof of Purchase and electrical installation certificate.



CARE AND WARRANTY

Before cleaning the fixture, disconnect it if necessary from other components, do not use aggressive cleaning agents. The fixture has been carefully checked for defects. If you do find a quality or operational issue, please advise your reseller together with your proof of purchase and installation certificate. We reserve the right to make technical modifications.

Contact us: sales@telbix.com

TELBIK PTY LTD . A.B.N. 14 005 453 547



IP20

Led

