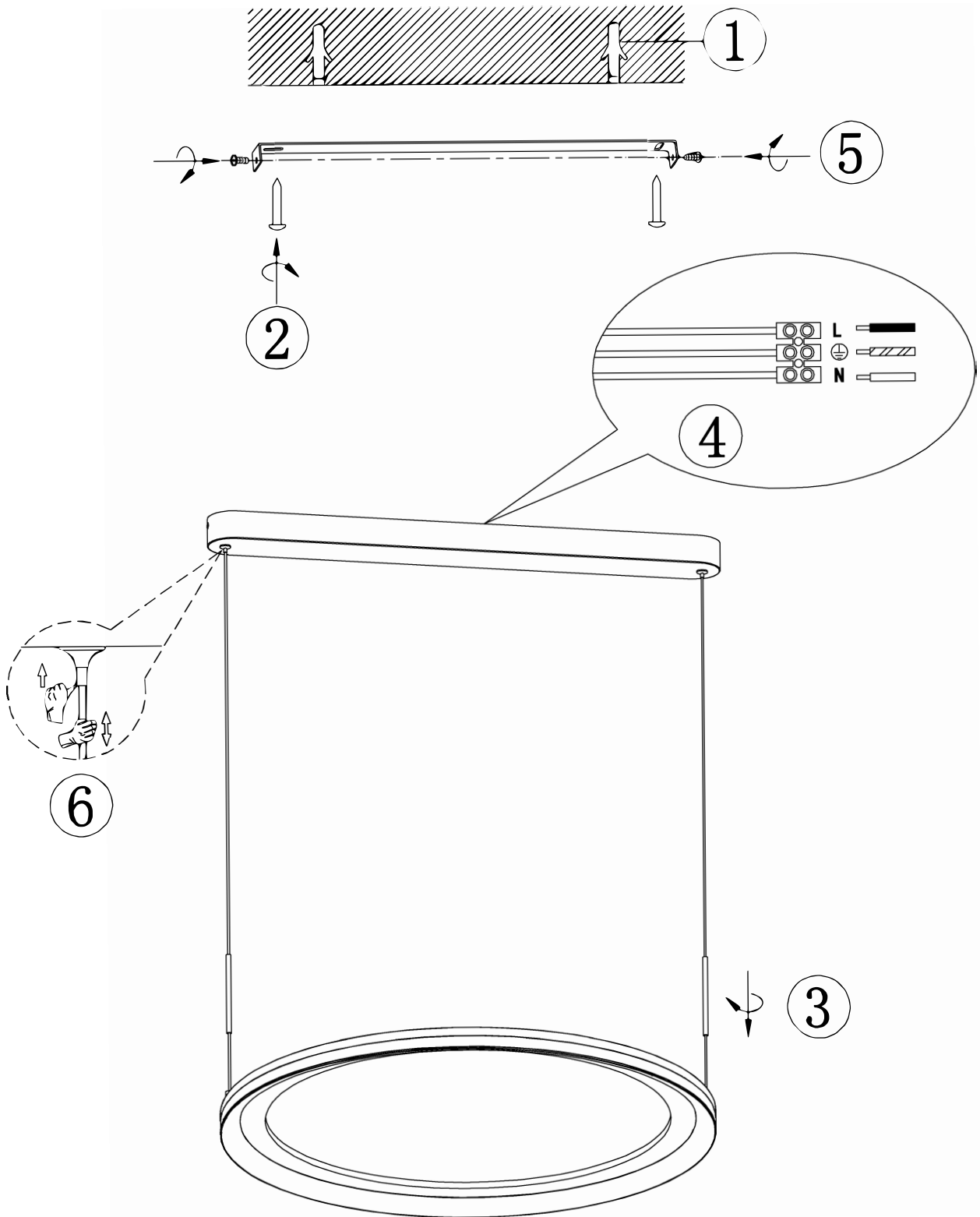


ITEM NO.: FULCRUM PE60-GY



Telbix. TRAILING EDGE DIMMER

240V ~ 50Hz LED 60W 3000K

IMPORTANT
Must be installed by
a qualified electrical
contractor.
Install in accordance
with AS/NSZ3000