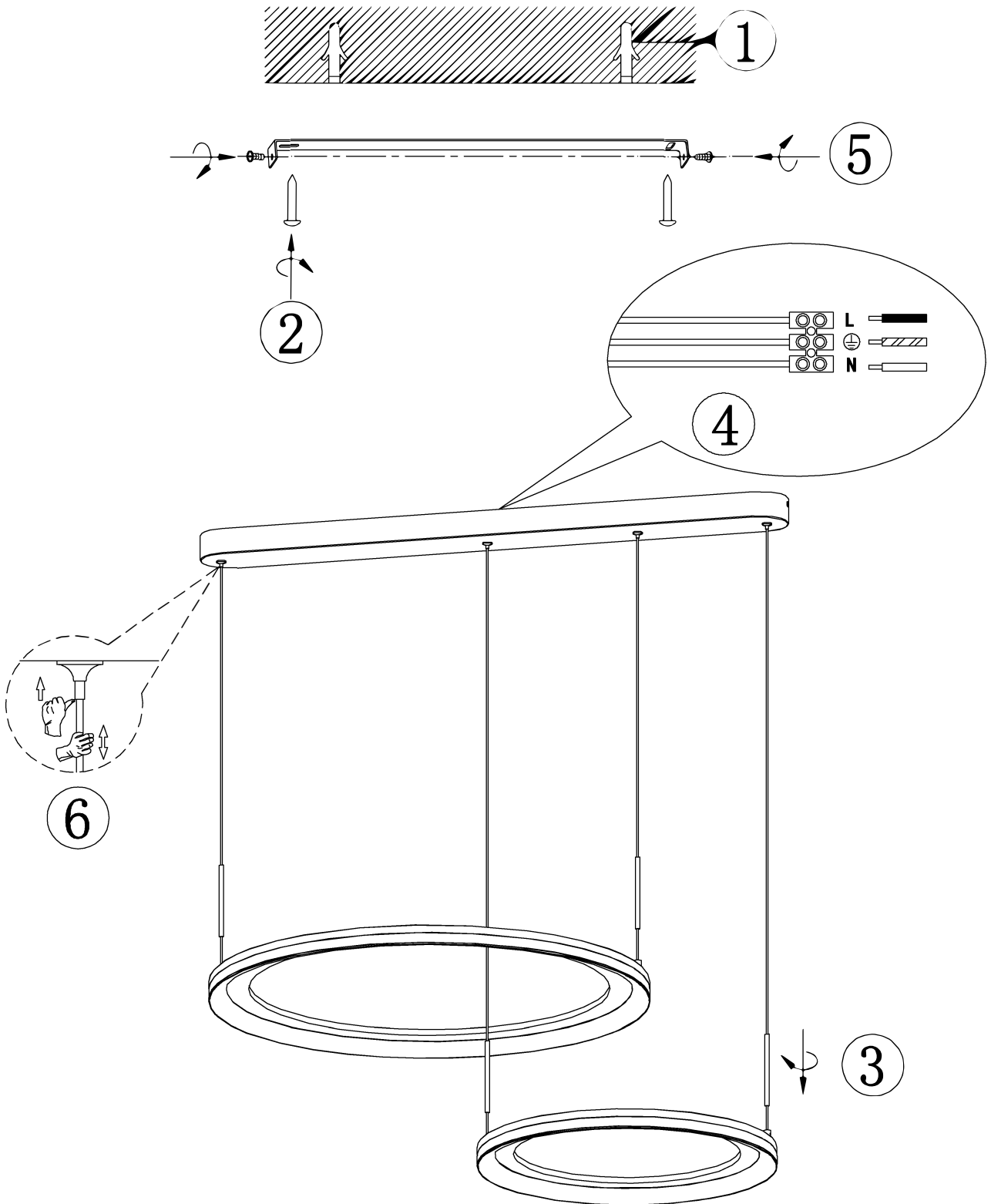


# ITEMNO.:FULCRUM PE2-GY



**telbix.** TRAILING EDGE DIMMER

240V ~ 50Hz LED 96W 3000K

**IMPORTANT**  
Must be installed by a qualified electrical contractor.  
Install in accordance with AS/NSZ3000