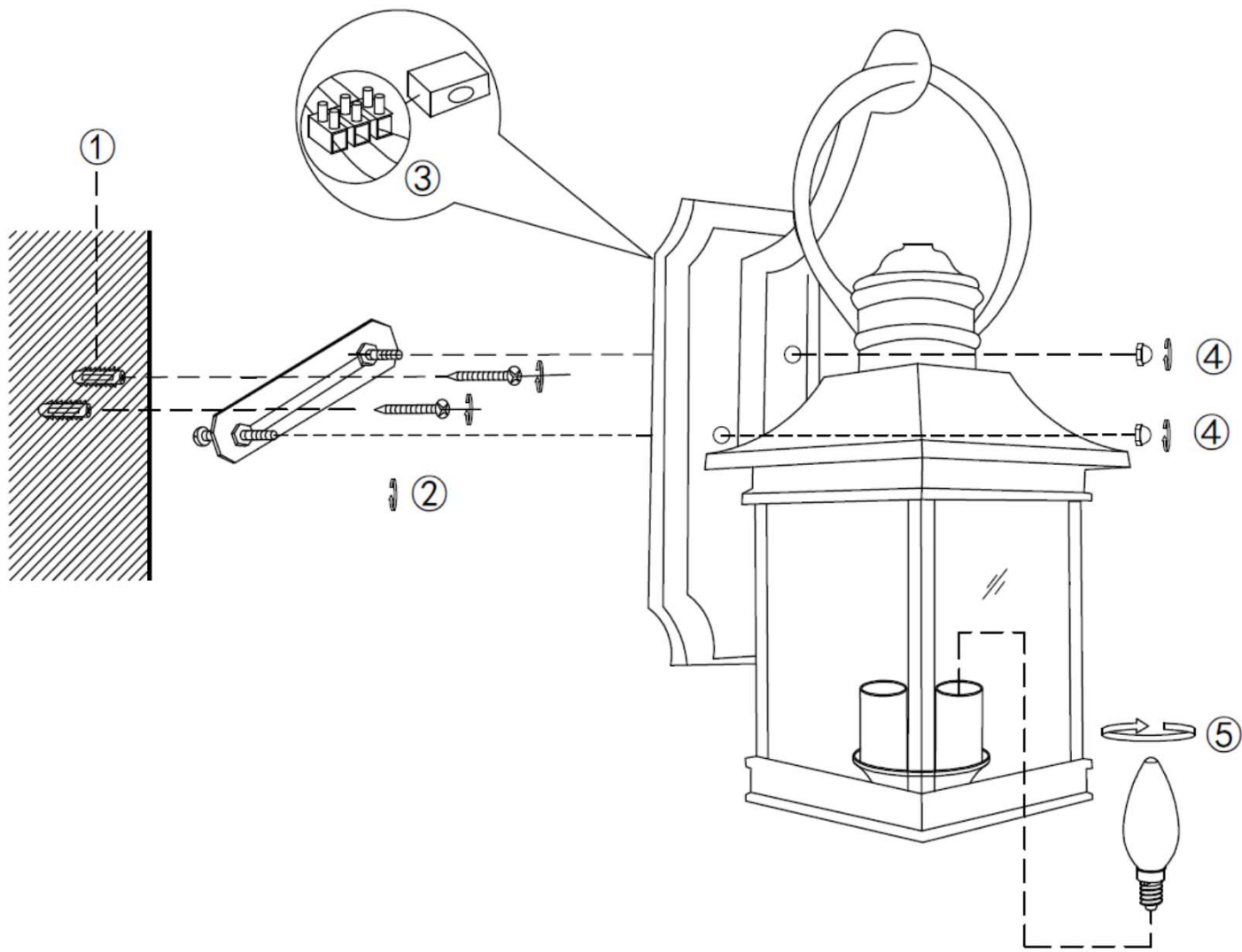
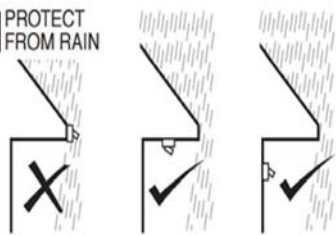


ITEM NO.:FERGUS EX-BK




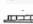

PROTECT FROM RAIN



240V ~ 50Hz E14 Max.25W x2

telbix.

NOTE: GLOBE NOT INCLUDED

- Disclaimer:
-  Tools not included
 -  Shade ring attached on lamp holder
 -  Globe(s) not included

IMPORTANT
 Must be installed by a qualified electrical contractor.
 Install in accordance with AS/NZ3000