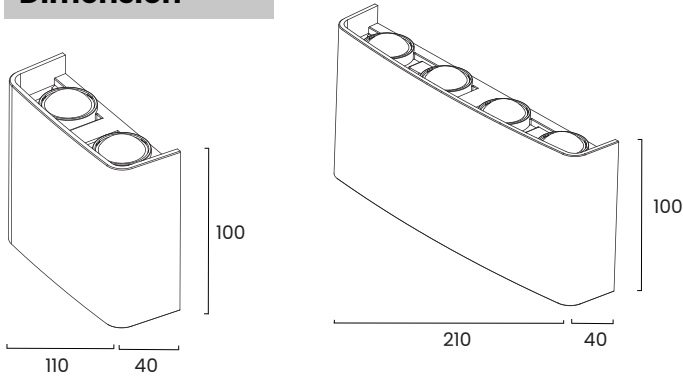


Dimension



Specification

Item Name	EYVOR EXWB4	EYVOR EXWB8
Input Voltage	220-240V ~ 50Hz	
Watt	4w	8w
Lumen	250Lm*	500Lm*
CCT	2700K-3200K-4000K*	
CRI	>90	
Dimmable	NON-DIMMABLE	
IP Rating	IP65	
Dimensions (mm)	L:110 x H:100 x P:40	L:210 x H:100 x P:40

Installation

(The product must be installed by a licensed electrician)

- Turn mains power OFF.
- Remove bracket from fitting.
- Use the screws to install the bracket.
- Connect the cable wire.
- Select desired colour temperature via switch.
- Install the light into the bracket. Ensure the fitting has firmly clicked into bracket.
- Turn mains power ON.



Installation must be performed by a qualified Electrical Contractor in accordance with the current wiring standard AS/NZS3000.
3 YEAR REPLACEMENT WARRANTY*
 with Proof of purchase and electrical installation certificate.