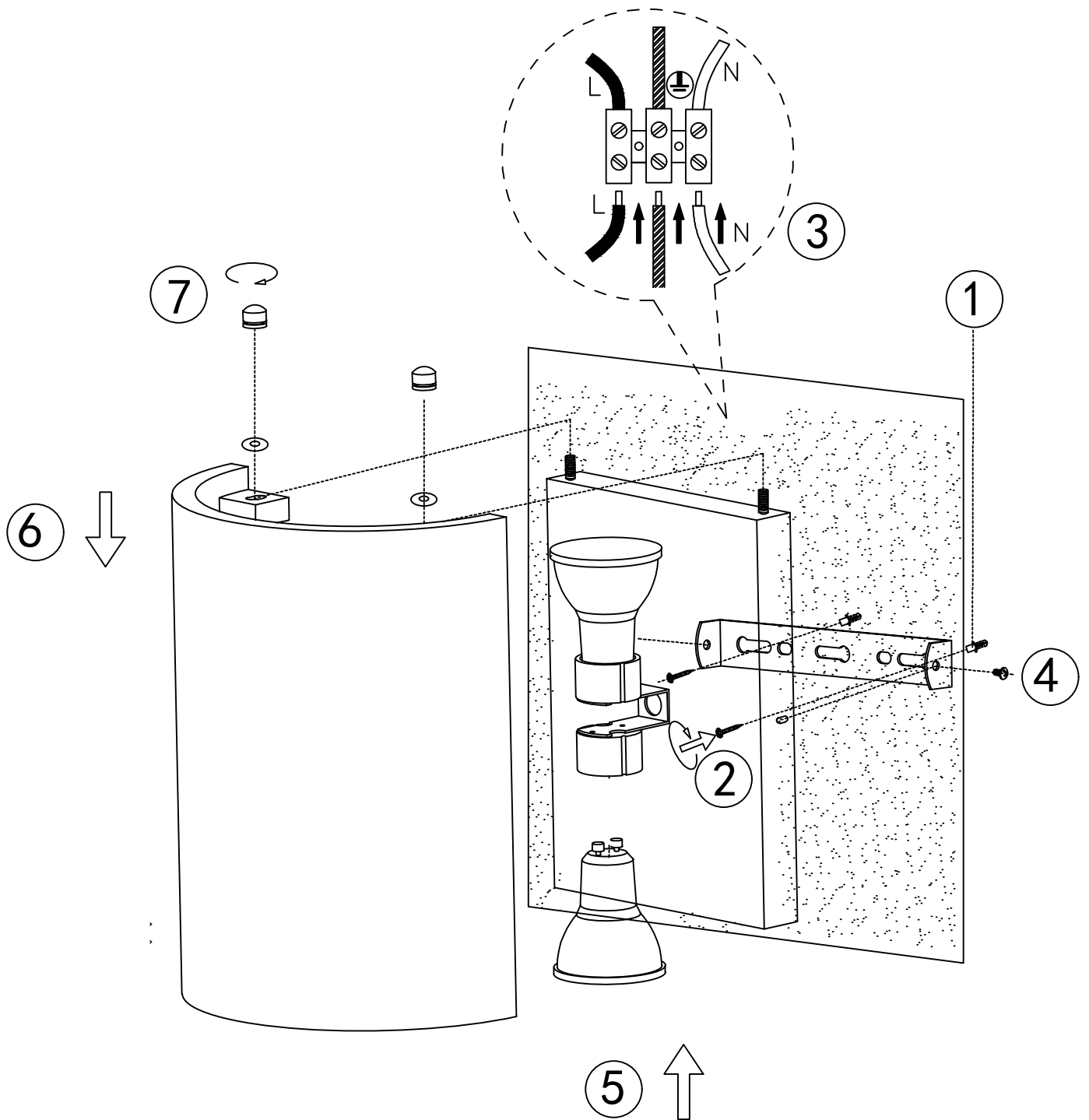


ITEM NO.: ETRUSO WB



IMPORTANT
Must be installed by
a qualified electrical
contractor.
Install in accordance
with AS/NZS3000



IP20

240V - 50Hz GU10 Max.6Wx2

Telbix. NOTE: GLOBE NOT INCLUDED