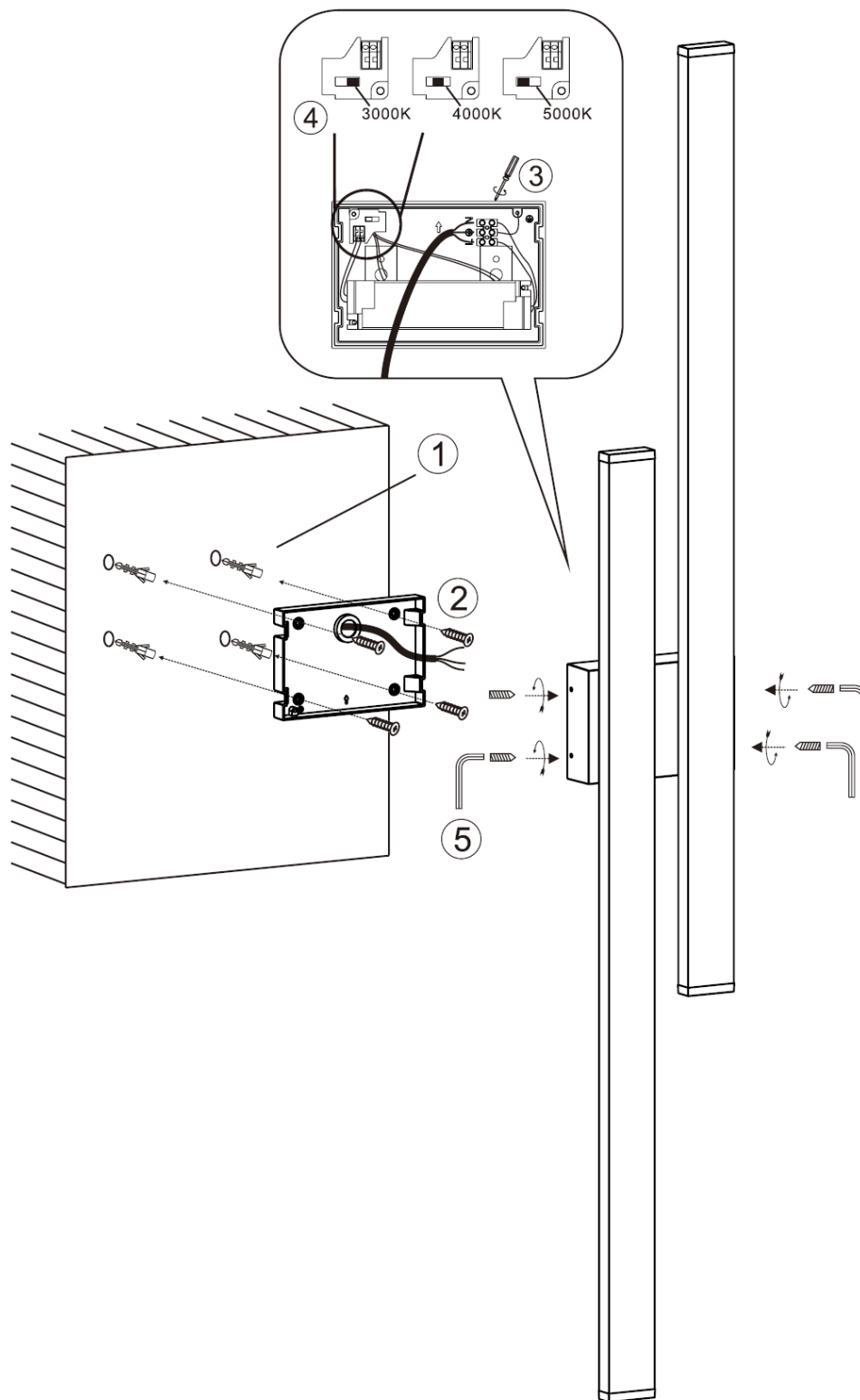


# ITEM NO.:EBIZA WB2



IP65

**Telbix.**

240V ~ 50Hz LED 20Wx2

3000K-5000K 3CCT NON-DIM

## IMPORTANT

Must be installed by a qualified electrical contractor.  
Install in accordance with AS/NSZ3000