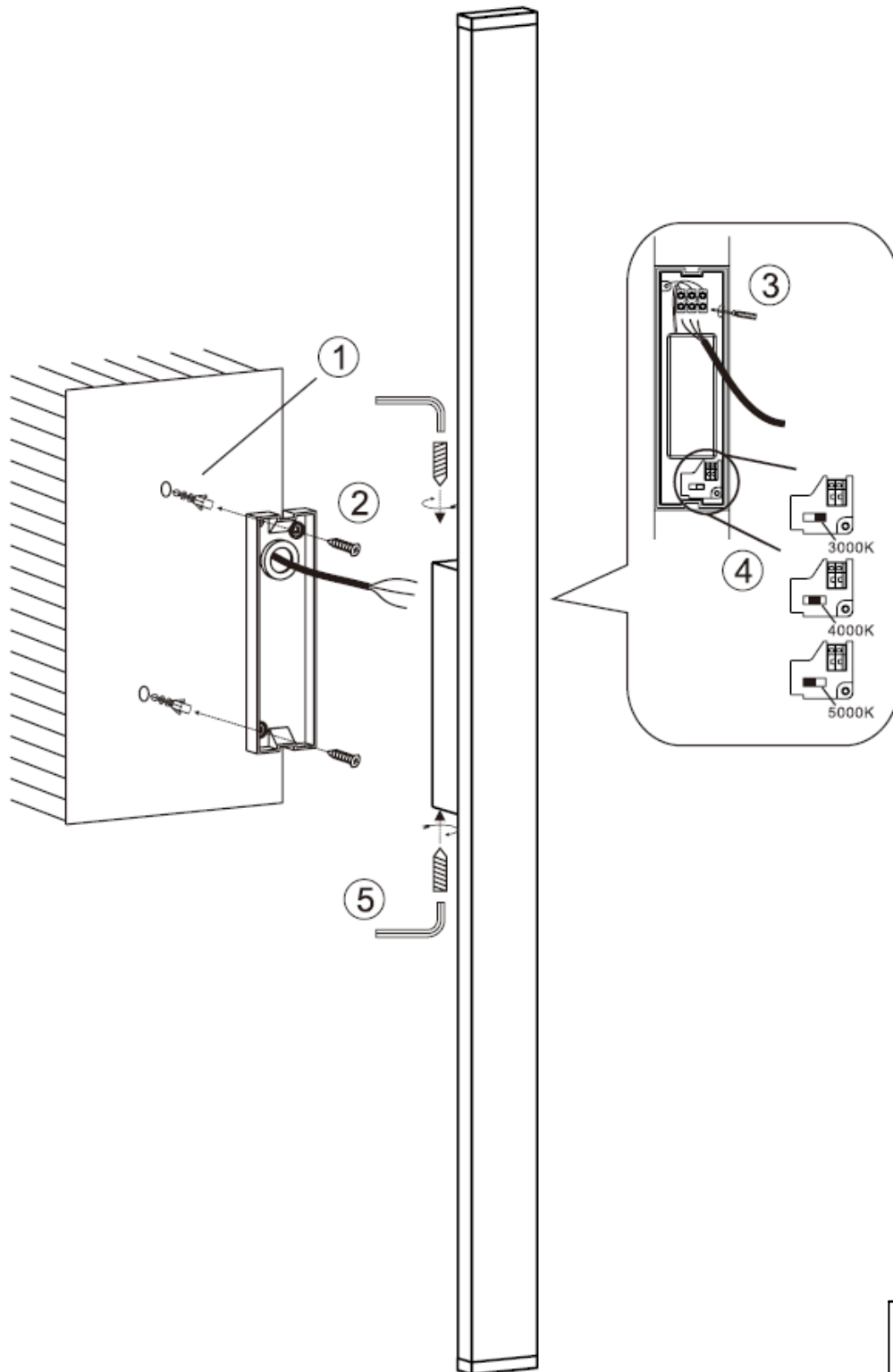


ITEM NO.: EBIZA EX180



**IP65**

**Telbix.**

240V ~ 50Hz LED 40W

3000K-5000K 3CCT NON-DIM

**IMPORTANT**

Must be installed  
by a qualified  
electrical  
contractor.  
Install in  
accordance with  
AS/NSZ3000