

## EASY-300-RND

### Ceiling Light



#### Description

Modern surface mounted double insulated ceiling light, robust design and suitable to withstand most weather conditions, ideal for indoor and outdoor residential or commercial lighting applications. Designed with push-in mounting bracket for easy installation. Fully dimmable, has an estimated lifetime of 50,000 hours and is backed by our Three Year Replacement Warranty.

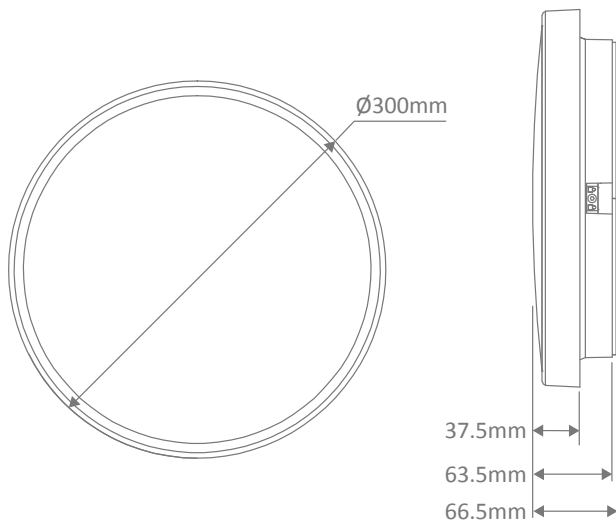


#### Specification Features

- Input Voltage: 240V Ac
- Power (W): 18W
- IP rating (IP): IP54
- Lumens (lm): Warm White 3000K - 1500lm  
Neutral White 4000K - 1660lm  
White 5700K - 1820lm
- LED type: SMD
- CCT: 3000K - 4000K - 5700K
- CRI: ≥80
- Beam angle (°): 120°
- Dimmable: Yes\*
- Lifespan (hrs): 50,000hrs

\* Dimmable on LED Universal Rotary type dimmers.

#### Diagrams / Additional



Item No.	Variant	Colour Temperature
EASY-300-RND-WHT	20955	TRIO