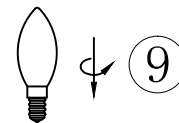
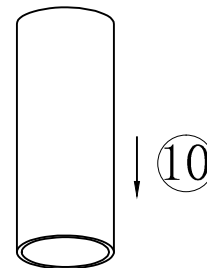
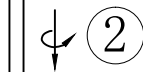
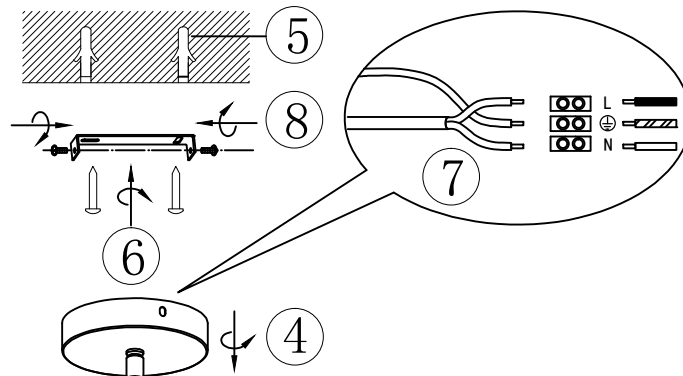
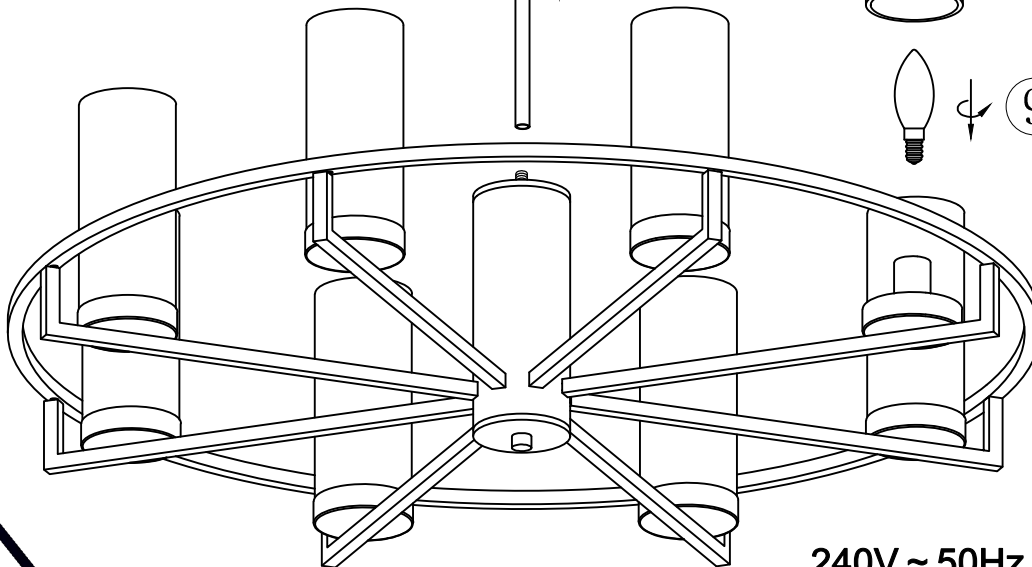


ITEM NO.: EAMON PE8



IMPORTANT
Must be installed by
a qualified electrical
contractor.
Install in accordance
with AS/NZ3000

- Disclaimer:
/ Tools not included
Shade ring attached on lamp holder
Light globe(s) not included



Telbix.

240V ~ 50Hz E14Max.25Wx8

NOTE:GLOBE NOT INCLUDED