

Driver 12V IP20 20W Constant Voltage LED Driver



Description

DRIVER-12V-IP20 Series are a range of indoor non-dimmable 12V DC Constant Voltage LED Indoor Drivers for use with LED strip lighting, inground uplighters, garden spike lighting and much more. Secondary side short circuit protection. Thermal overload protection, over temperature protection and over voltage protection. Complete with 1M flex and plug. Non-dimmable. Indoor use only. Choose from 12W, 20W, 30W, 40W, 60W, 80W and 100W wattages. Parallel wiring. Backed by a 5 Year replacement Warranty.

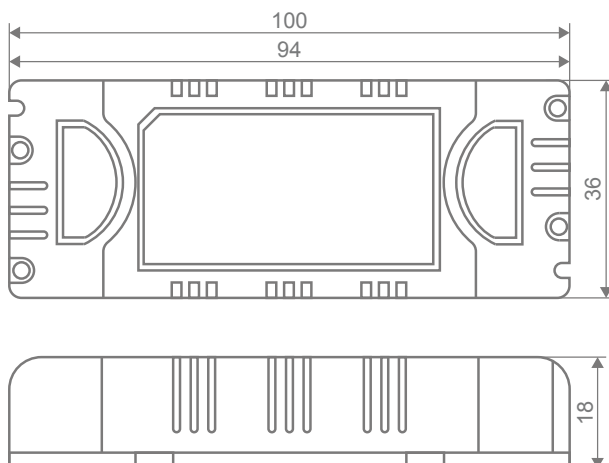


Specification Features

- Input Voltage: 240V AC
- Power (W): 20W
- Output Voltage: 12V DC
- Output Current: 1.67A
- Dimmable: No
- IP rating (IP): IP20
- Efficiency: up to 89%; PF>0.95
- Weight (g): 100
- Size (mm): 100x36x18

* Flicker free when less than 2M away from light source

Diagrams / Additional



Item No.	Variant	Wattage
DRIVER-12V-IP20	23171	20W

Driver 12V IP20 30W Constant Voltage LED Driver



Description

DRIVER-12V-IP20 Series are a range of indoor non-dimmable 12V DC Constant Voltage LED Indoor Drivers for use with LED strip lighting, inground uplighters, garden spike lighting and much more. Secondary side short circuit protection. Thermal overload protection, over temperature protection and over voltage protection. Complete with 1M flex and plug. Non-dimmable. Indoor use only. Choose from 12W, 20W, 30W, 40W, 60W, 80W and 100W wattages. Parallel wiring. Backed by a 5 Year replacement Warranty.

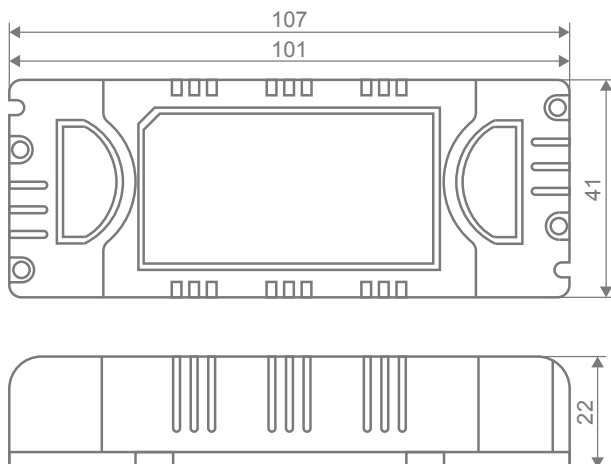


Specification Features

Input Voltage:	240V AC
Power (W):	30W
Output Voltage:	12V DC
Output Current:	2.5A
Dimmable:	No
IP rating (IP):	IP20
Efficiency:	up to 89%; PF>0.95
Weight (g):	140
Size (mm):	107x40x22

* Flicker free when less than 2M away from light source

Diagrams / Additional



Item No.	Variant	Wattage
DRIVER-12V-IP20	23172	30W

Driver 12V IP20 60W Constant Voltage LED Driver



Description

DRIVER-12V-IP20 Series are a range of indoor non-dimmable 12V DC Constant Voltage LED Indoor Drivers for use with LED strip lighting, inground uplighters, garden spike lighting and much more. Secondary side short circuit protection. Thermal overload protection, over temperature protection and over voltage protection. Complete with 1M flex and plug. Non-dimmable. Indoor use only. Choose from 12W, 20W, 30W, 40W, 60W, 80W and 100W wattages. Parallel wiring. Backed by a 5 Year replacement Warranty.

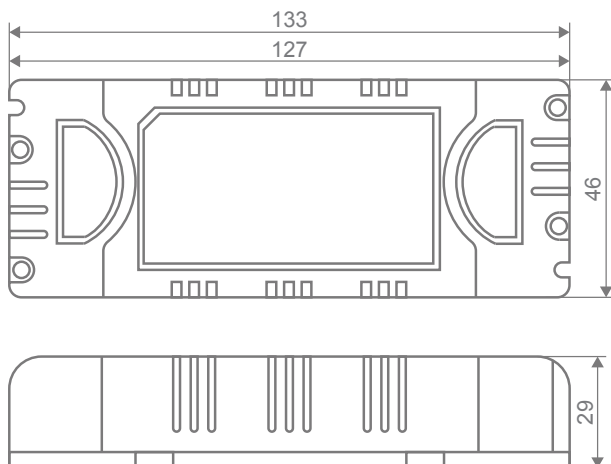


Specification Features

Input Voltage: 240V AC
 Power (W): 60W
 Output Voltage: 12V DC
 Output Current: 5A
 Dimmable: No
 IP rating (IP): IP20
 Efficiency: up to 89%; PF>0.95
 Weight (g): 140
 Size (mm): 133x47x29

* Flicker free when less than 2M away from light source

Diagrams / Additional



Item No.	Variant	Wattage
DRIVER-12V-IP20	23174	60W

Driver 12V IP20 100W Constant Voltage LED Driver



Description

DRIVER-12V-IP20 Series are a range of indoor non-dimmable 12V DC Constant Voltage LED Indoor Drivers for use with LED strip lighting, inground uplighters, garden spike lighting and much more. Secondary side short circuit protection. Thermal overload protection, over temperature protection and over voltage protection. Complete with 1M flex and plug. Non-dimmable. Indoor use only. Choose from 12W, 20W, 30W, 40W, 60W, 80W and 100W wattages. Parallel wiring. Backed by a 5 Year replacement Warranty.

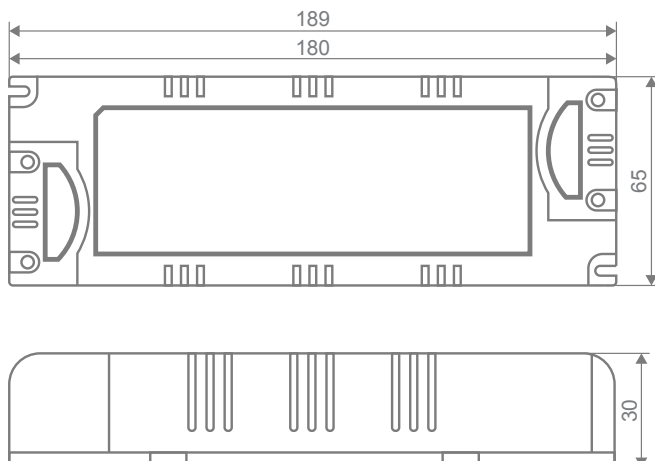


Specification Features

Input Voltage:	240V AC
Power (W):	100W
Output Voltage:	12V DC
Output Current:	8.33A
Dimmable:	No
IP rating (IP):	IP20
Efficiency:	up to 89%; PF>0.95
Weight (g):	140
Size (mm):	189x65x30

* Flicker free when less than 2M away from light source

Diagrams / Additional



Item No.	Variant	Wattage
DRIVER-12V-IP20	23176	100W