

Driver 12V IP20 Dim 20W Constant Voltage Dimmable LED Driver



Description

DRIVER-12V-IP20-DIM Series are a range of indoor Triac Dimmable 12V DC Constant Voltage LED Indoor Drivers for use with LED strip lighting, inground uplighters, garden spike lighting and much more. Secondary side short circuit protection. Thermal overload protection, over temperature protection and over voltage protection. Complete with 1M flex and plug. Fully dimmable with suitable dimmers. Indoor use only. Choose from 12W, 20W, 30W, 40W, 60W, 80W and 100W wattages. Parallel wiring. Backed by a 5 Year replacement Warranty.

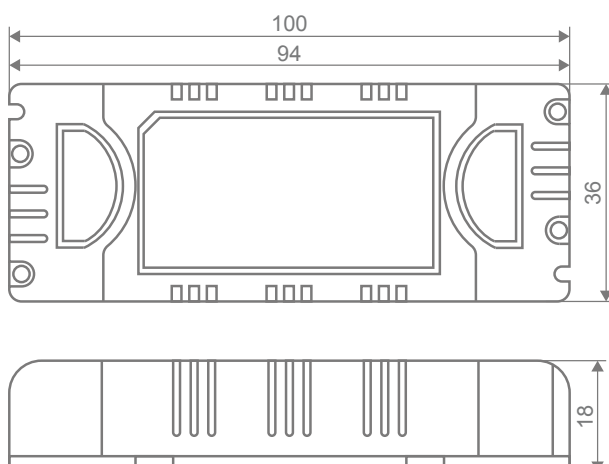


Specification Features

Input Voltage:	240V AC
Power (W):	20W
Output Voltage:	12V DC
Output Current:	1.67A
Dimmable:	Yes
IP rating (IP):	IP20
Efficiency:	up to 89%; PF>0.95
Weight (g):	69
Size (mm):	100x36x18

* Flicker free when less than 2M away from light source

Diagrams / Additional



Item No.	Variant	Wattage
DRIVER-12V-IP20-DIM	23177	20W

Driver 12V IP20 Dim 30W Constant Voltage Dimmable LED Driver



Description

DRIVER-12V-IP20-DIM Series are a range of indoor Triac Dimmable 12V DC Constant Voltage LED Indoor Drivers for use with LED strip lighting, inground uplighters, garden spike lighting and much more. Secondary side short circuit protection. Thermal overload protection, over temperature protection and over voltage protection. Complete with 1M flex and plug. Fully dimmable with suitable dimmers. Indoor use only. Choose from 12W, 20W, 30W, 40W, 60W, 80W and 100W wattages. Parallel wiring. Backed by a 5 Year replacement Warranty.

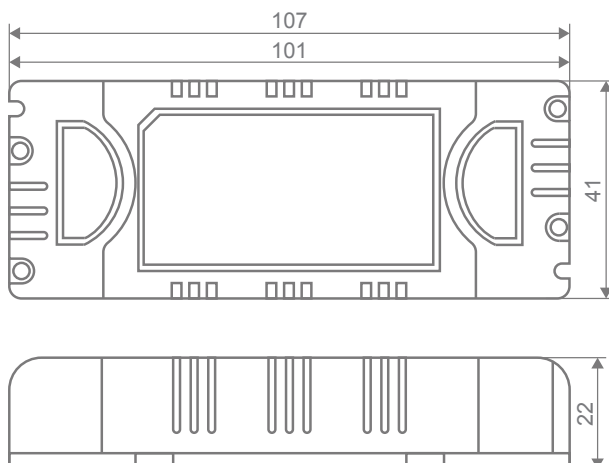


Specification Features

Input Voltage:	240V AC
Power (W):	30W
Output Voltage:	12V DC
Output Current:	2.5A
Dimmable:	Yes
IP rating (IP):	IP20
Efficiency:	up to 89%; PF>0.95
Weight (g):	106
Size (mm):	107x41x22

* Flicker free when less than 2M away from light source

Diagrams / Additional



Item No.	Variant	Wattage
DRIVER-12V-IP20-DIM	23178	30W

Driver 12V IP20 Dim 60W Constant Voltage Dimmable LED Driver



Description

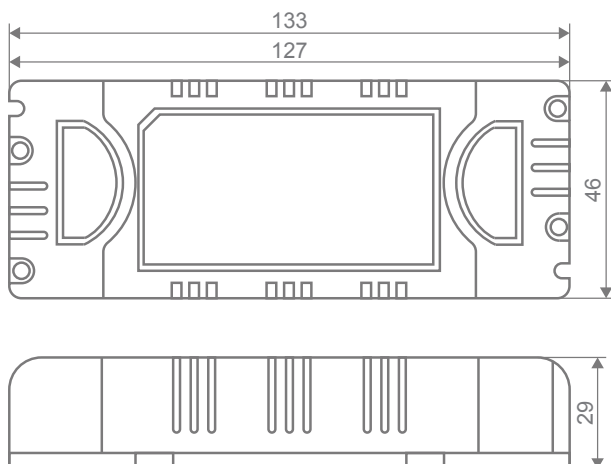
DRIVER-12V-IP20-DIM Series are a range of indoor Triac Dimmable 12V DC Constant Voltage LED Indoor Drivers for use with LED strip lighting, inground uplighters, garden spike lighting and much more. Secondary side short circuit protection. Thermal overload protection, over temperature protection and over voltage protection. Complete with 1M flex and plug. Fully dimmable with suitable dimmers. Indoor use only. Choose from 12W, 20W, 30W, 40W, 60W, 80W and 100W wattages. Parallel wiring. Backed by a 5 Year replacement Warranty.



Specification Features

- Input Voltage: 240V AC
 - Power (W): 60W
 - Output Voltage: 12V DC
 - Output Current: 5A
 - Dimmable: Yes
 - IP rating (IP): IP20
 - Efficiency: up to 89%; PF>0.95
 - Weight (g): 160
 - Size (mm): 133x46x29
- * Flicker free when less than 2M away from light source

Diagrams / Additional



Item No.	Variant	Wattage
DRIVER-12V-IP20-DIM	23180	60W

Driver 12V IP20 Dim 100W Constant Voltage Dimmable LED Driver



Description

DRIVER-12V-IP20-DIM Series are a range of indoor Triac Dimmable 12V DC Constant Voltage LED Indoor Drivers for use with LED strip lighting, inground uplighters, garden spike lighting and much more. Secondary side short circuit protection. Thermal overload protection, over temperature protection and over voltage protection. Complete with 1M flex and plug. Fully dimmable with suitable dimmers. Indoor use only. Choose from 12W, 20W, 30W, 40W, 60W, 80W and 100W wattages. Parallel wiring. Backed by a 5 Year replacement Warranty.

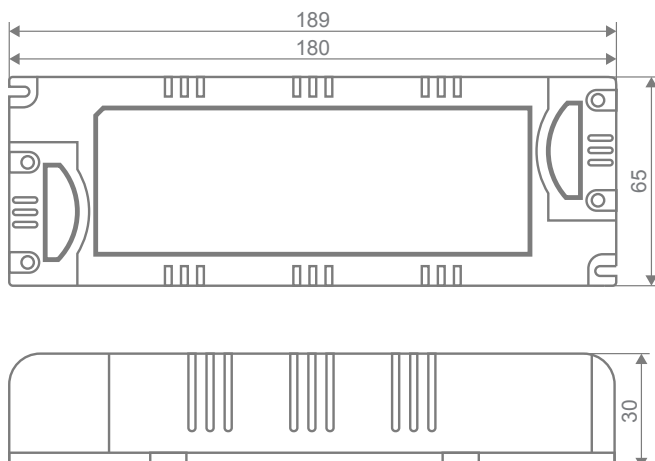


Specification Features

Input Voltage:	240V AC
Power (W):	100W
Output Voltage:	12V DC
Output Current:	8.33A
Dimmable:	Yes
IP rating (IP):	IP20
Efficiency:	up to 89%; PF>0.95
Weight (g):	500
Size (mm):	189x65x30

* Flicker free when less than 2M away from light source

Diagrams / Additional



Item No.	Variant	Wattage
DRIVER-12V-IP20-DIM	23182	100W