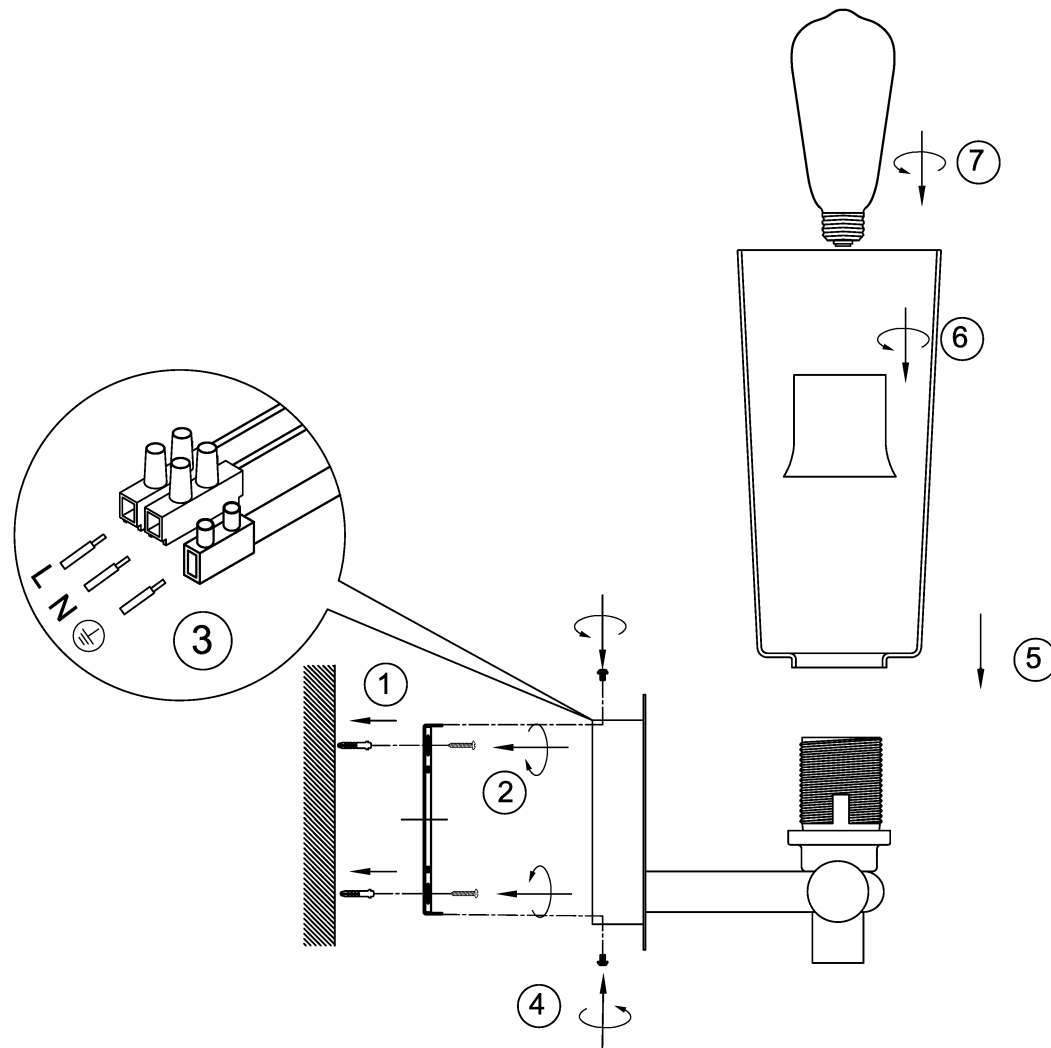





ITEM NO.:DELMAR WB



- Disclaimer:
-  Tools not included
 -  Shade ring attached on lamp holder
 -  Globe(s) not included

240V ~ 50Hz E27Max.25Wx1

NOTE:GLOBE NOT INCLUDED

IMPORTANT
Must be installed by
a qualified electrical
contractor.
install in accordance
with AS/NZ3000



Telbix.