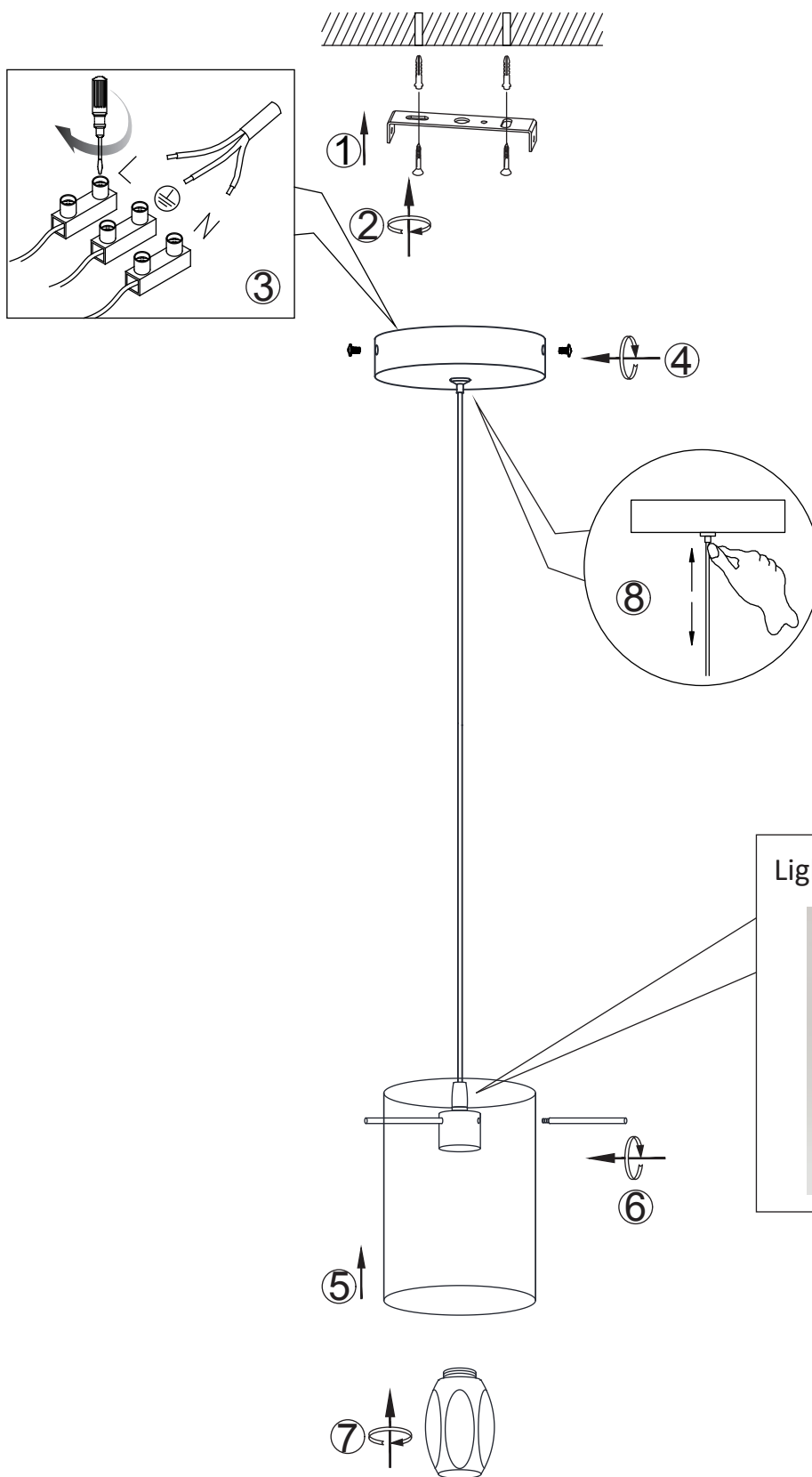


ITEM NO.: CREVIL PE1



IP20

240V ~ 50Hz LED 4W 4000K

NON-DIM

Telbix.

IMPORTANT
Must be installed by a qualified electrical contractor.
Install in accordance with AS/NSZ3000.