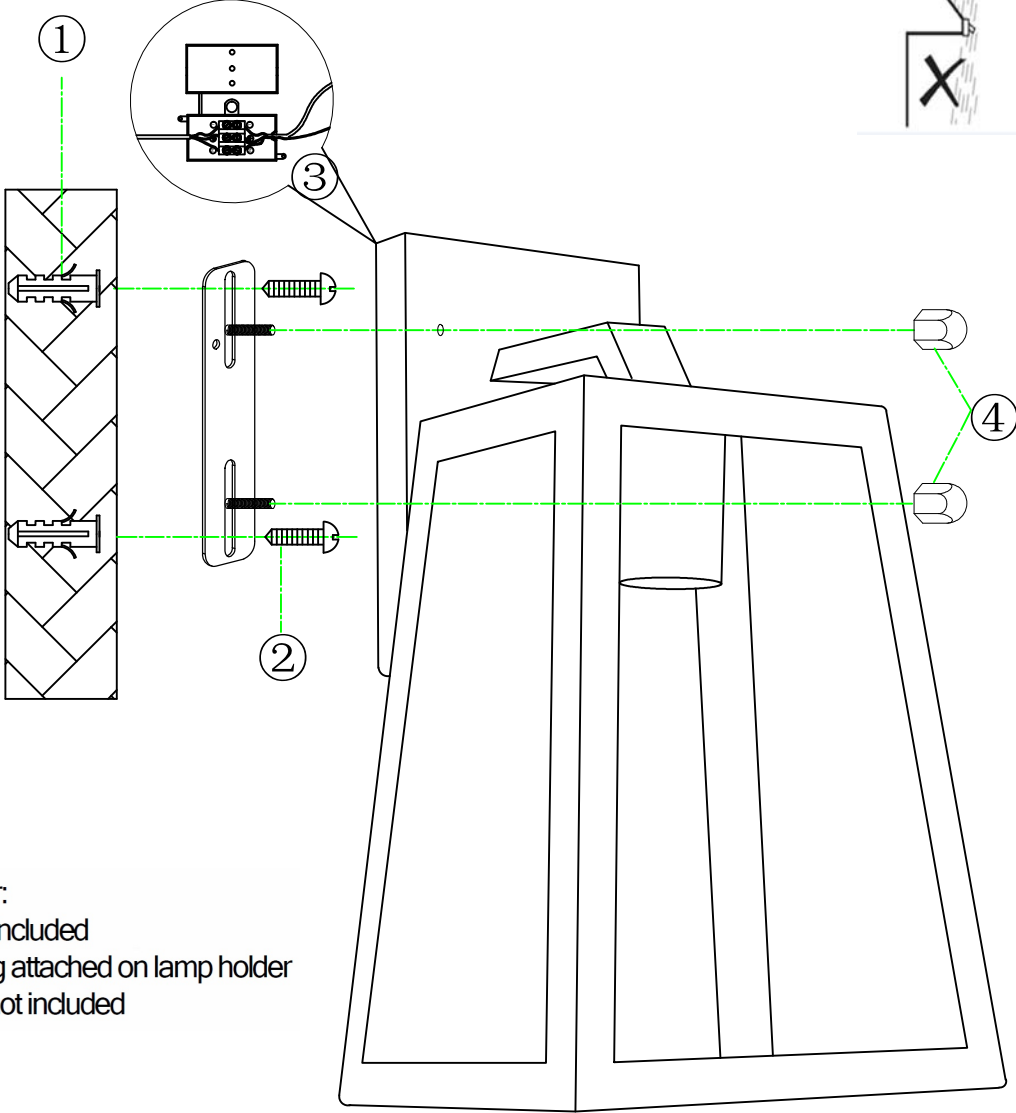
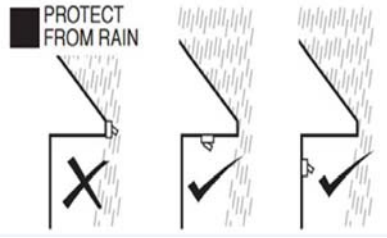
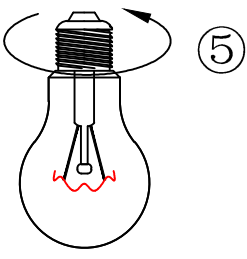


# ITEM NO.:COSCA EX145/180



- Disclaimer:
- Tools not included
  - Shade ring attached on lamp holder
  - Globe(s) not included



240V ~ 50Hz E27 Max.25W x1  
NOTE: GLOBE NOT INCLUDED

**IMPORTANT**  
Must be installed by a qualified electrical contractor.  
Install in accordance with AS/NZS3000