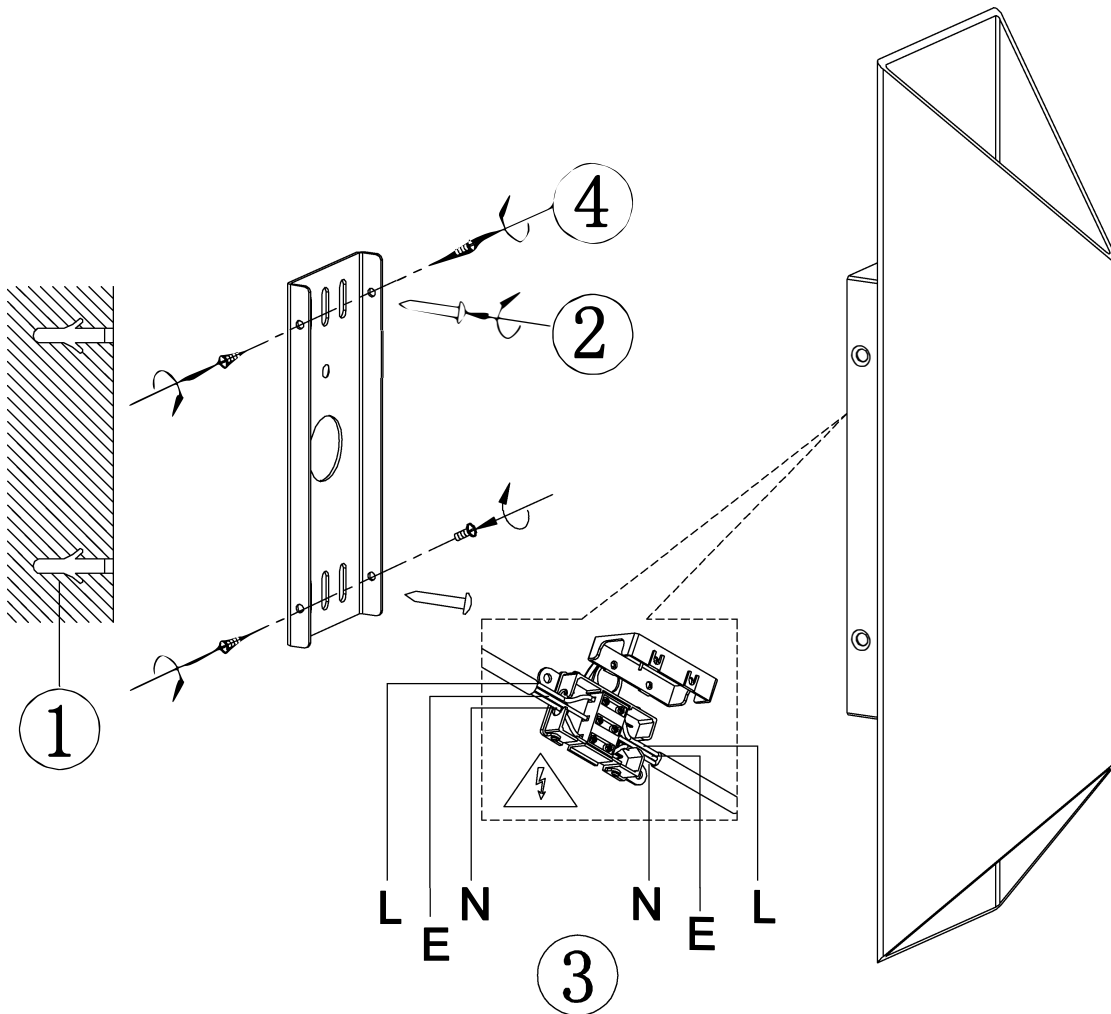


ITEM NO.: CHASKA WB



IP44

Telbix.

240V ~ 50Hz LED 8W 3000K
NON-DIM

IMPORTANT
Must be installed by
a qualified electrical
contractor.
Install in
accordance with
AS/NSZ3000.