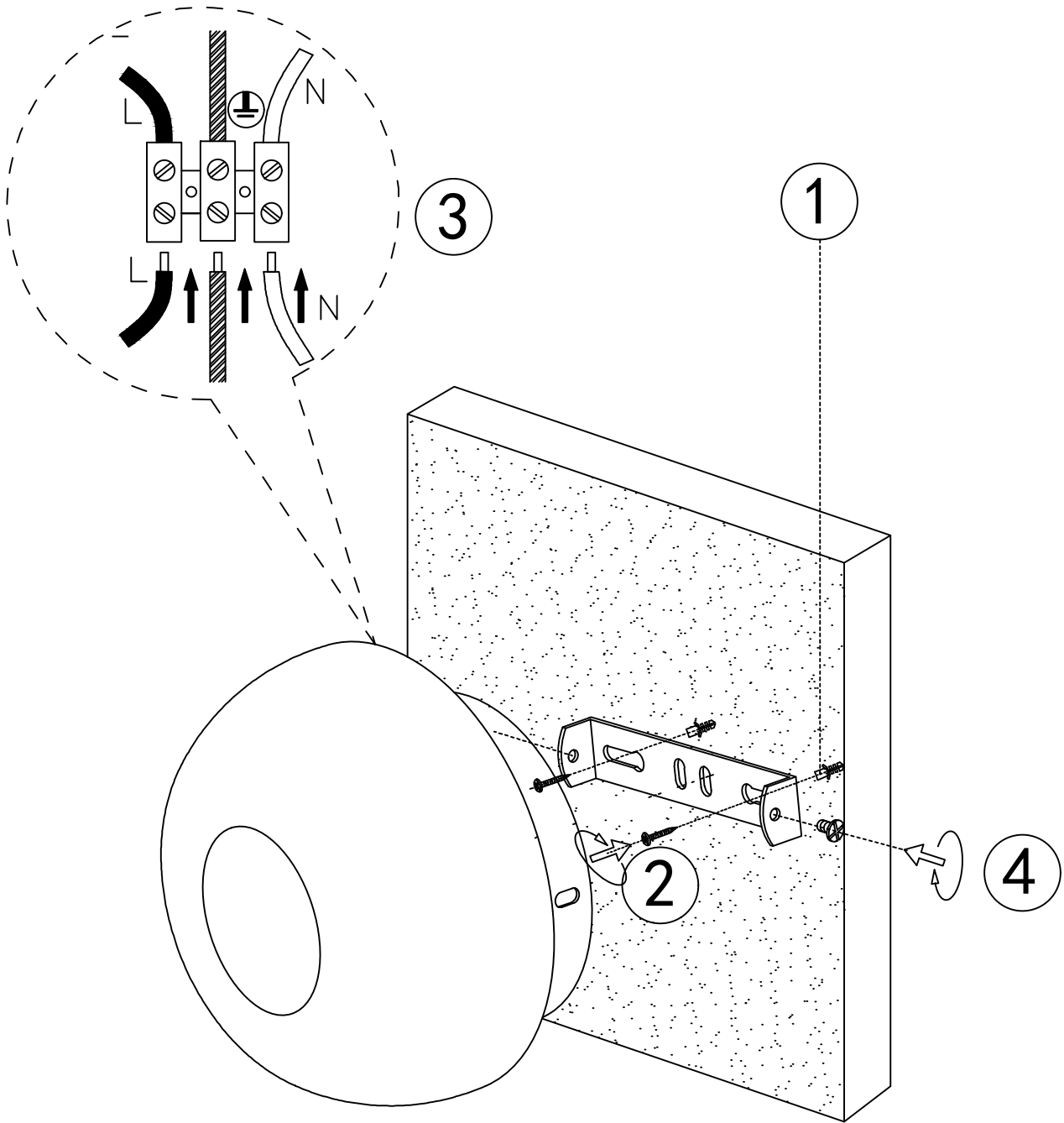


ITEM NO.: CASAR WB



IP20

Telbix.

240V ~ 50Hz LED 6W 3000K

NON-DIM

IMPORTANT
Must be installed by
a qualified electrical
contractor.
install in accordance
with AS/NZS 3000