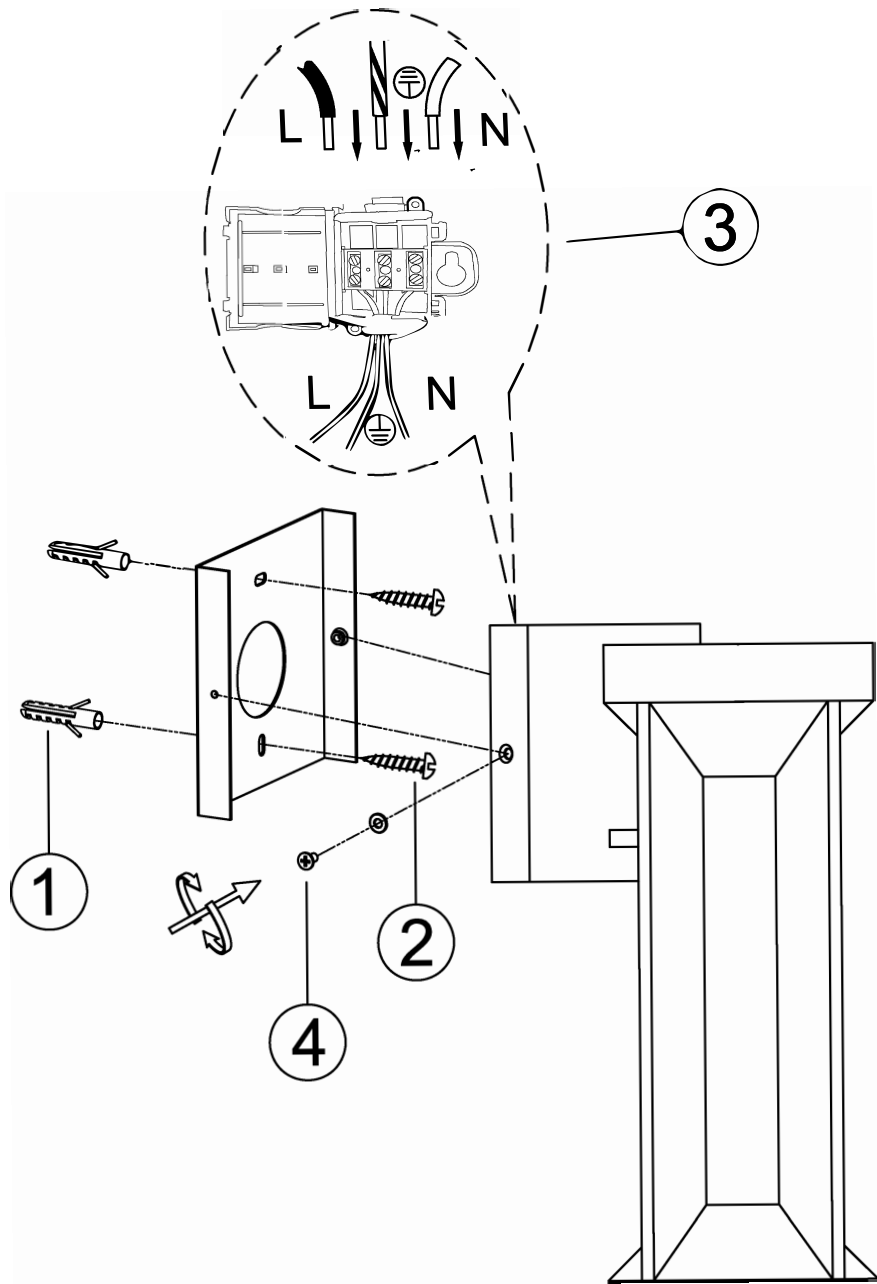


ITEM NO.: BRIXON EX40



IP44

240V ~ 50Hz LED 18W 3000K

NON-DIM

Telbix.

**IMPORTANT**  
Must be installed by a qualified electrical contractor.  
Install in accordance with AS/NSZ3000.