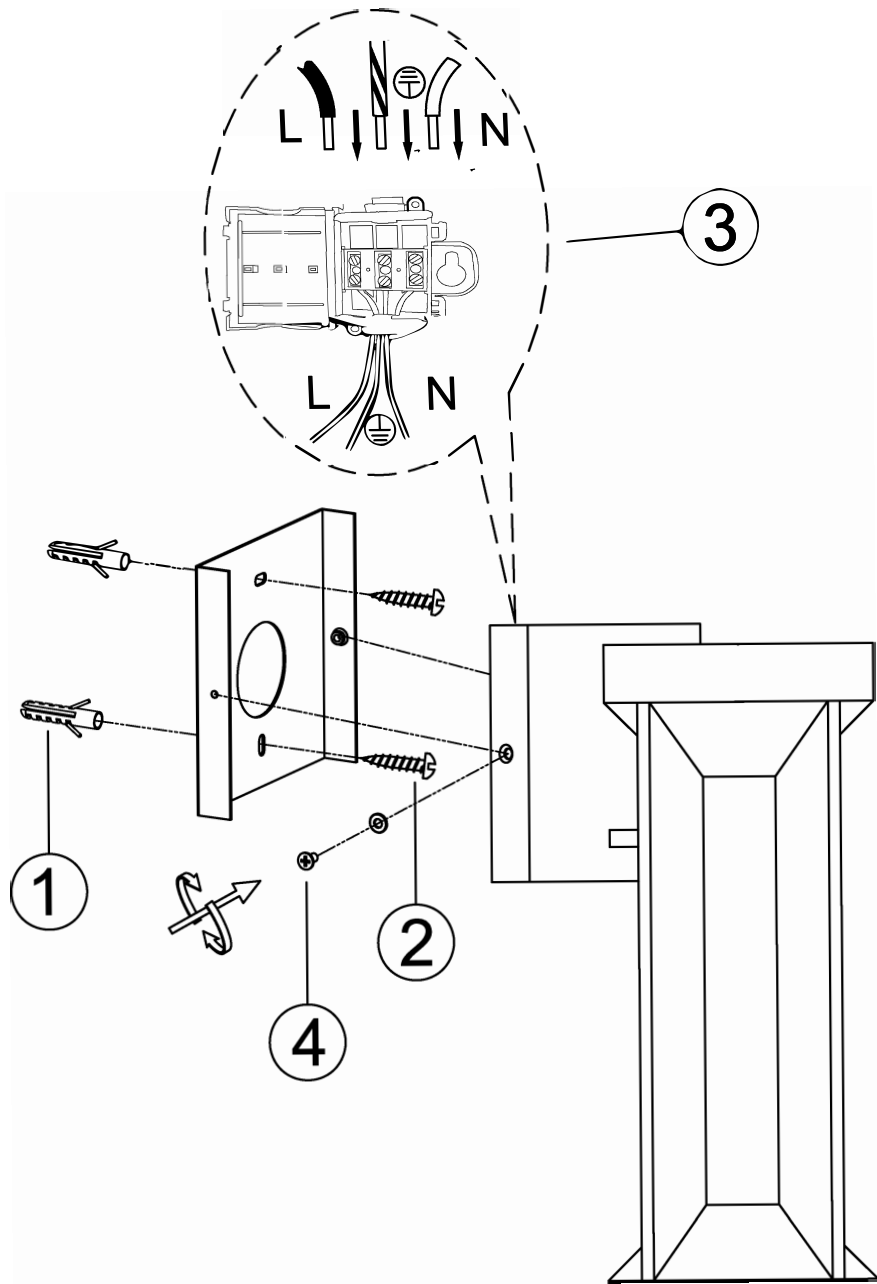


ITEM NO.: BRIXON EX30



IP44

240V ~ 50Hz LED 16W 3000K

Telbix.

NON-DIM

IMPORTANT
Must be installed by a qualified electrical contractor.
Install in accordance with AS/NSZ3000.