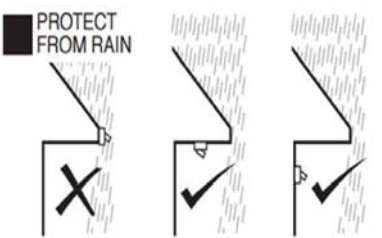
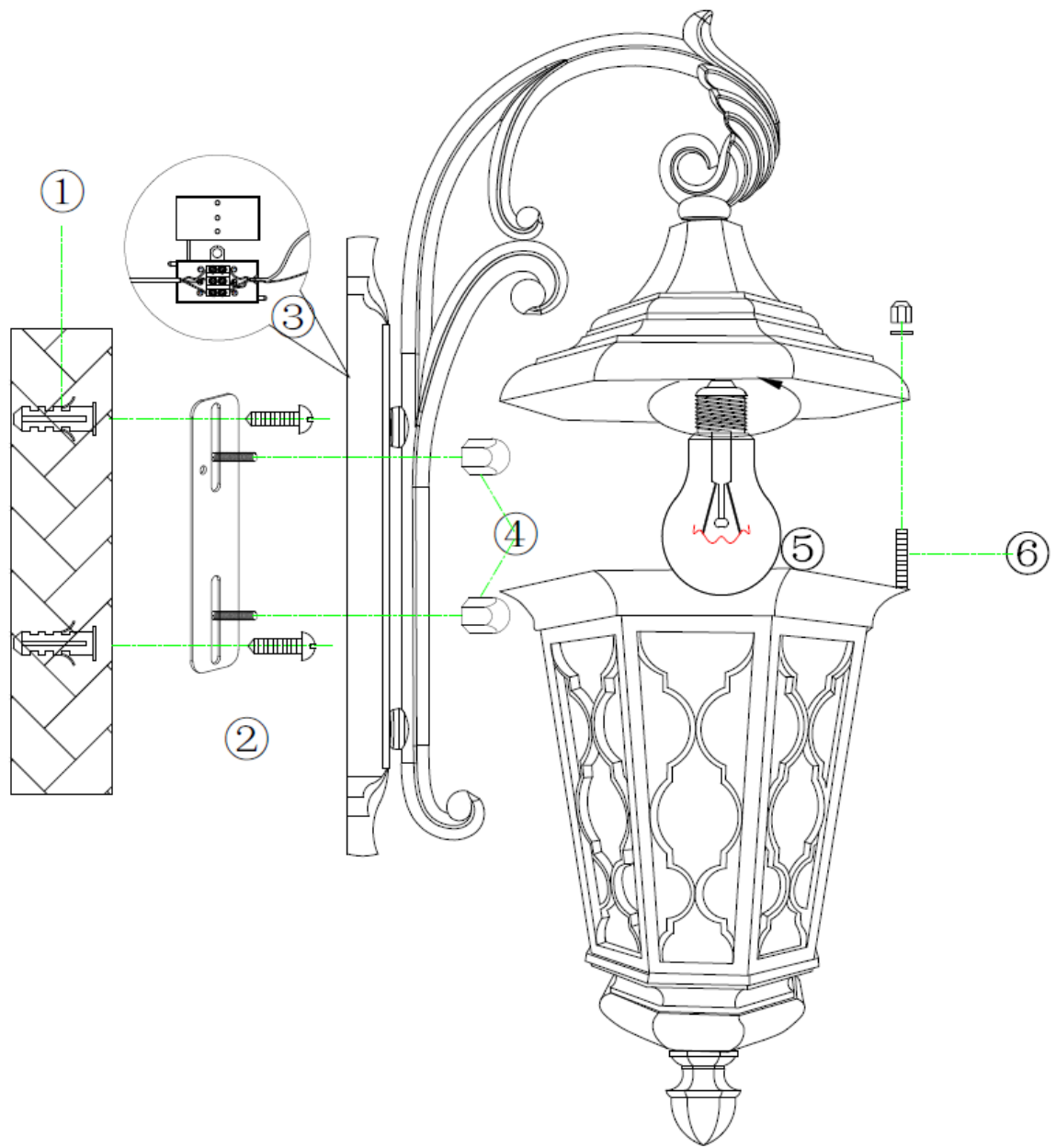





ITEM NO.:BRINLEY EX28/35



PROTECT FROM RAIN

- Disclaimer:
-  Tools not included
 -  Shade ring attached on lamp holder
 -  Globe(s) not included

240V ~ 50Hz E27 Max.25W x1

telbix.

NOTE: GLOBE NOT INCLUDED

IMPORTANT
 Must be installed by a qualified electrical contractor.
 Install in accordance with AS/NZ3000