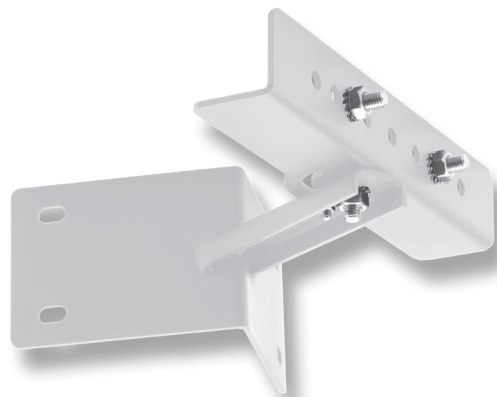


## Blaze-PRO-BKT Corner mounting bracket

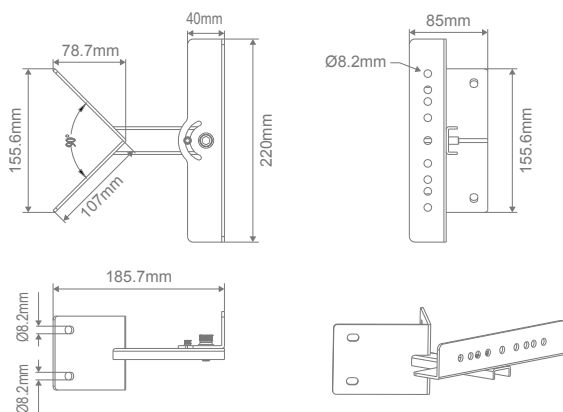


### Description

The Blaze-PRO corner bracket is powder coated giving it a more durable finishing option that provides both protection and aesthetic appeal to its metal surface. **Durability:** Powder-coated surfaces are resistant to chipping, scratching, fading, and other types of wear. The coating provides enhanced protection against corrosion, chemicals, and UV exposure.



### Diagrams / Additional



Item No.	Variant
BLAZE-PRO-BKT-BLK	19923
BLAZE-PRO-BKT-WHT	19924