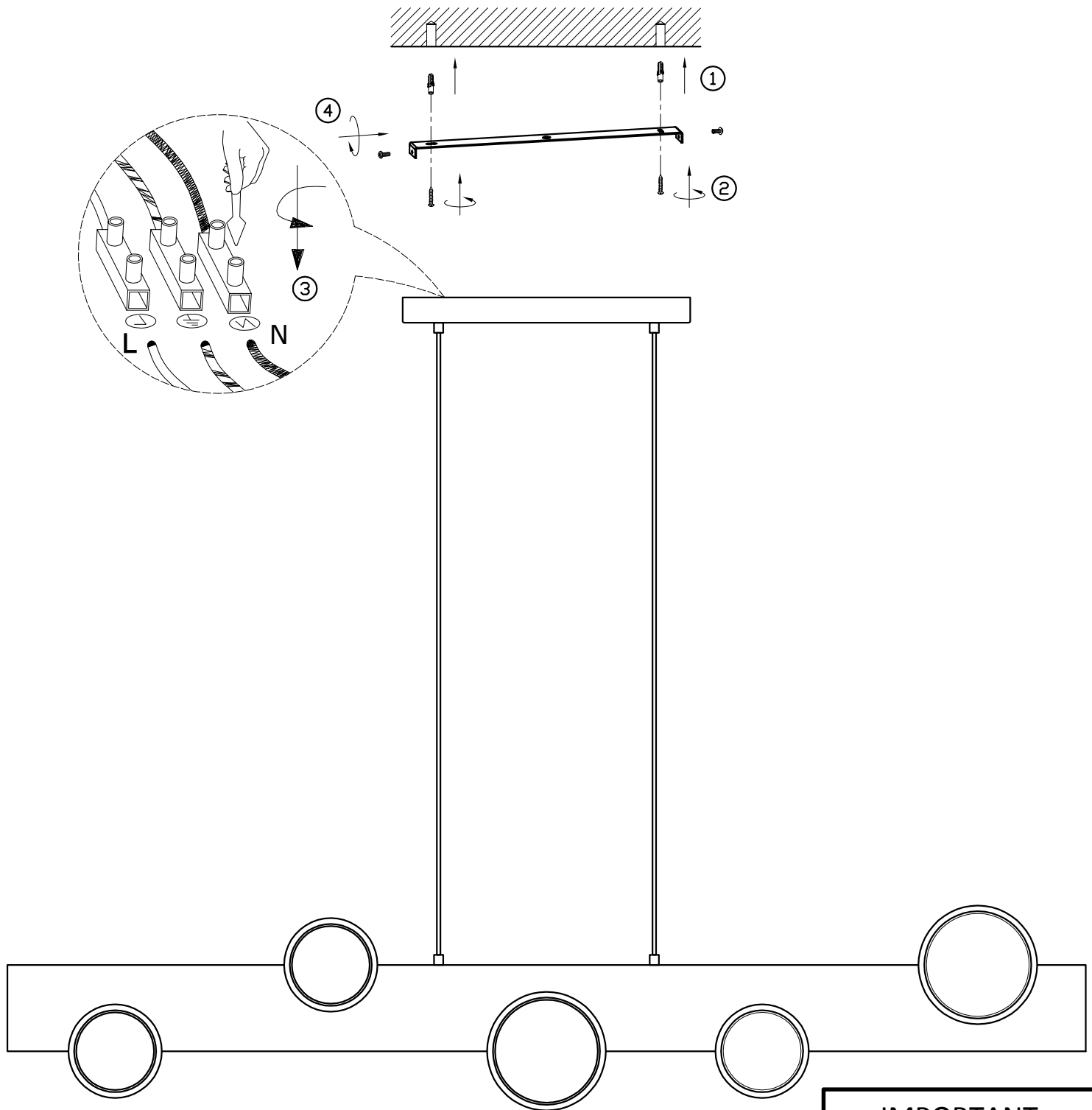


ITEM NO.: BERGEN PE150-WL



240V ~ 50Hz LED Max.34W 3000K

TRAILING EDGE DIMMER

IMPORTANT

Must be installed by a qualified electrical contractor.

Install in accordance with AS/NZS3000



Telbix.