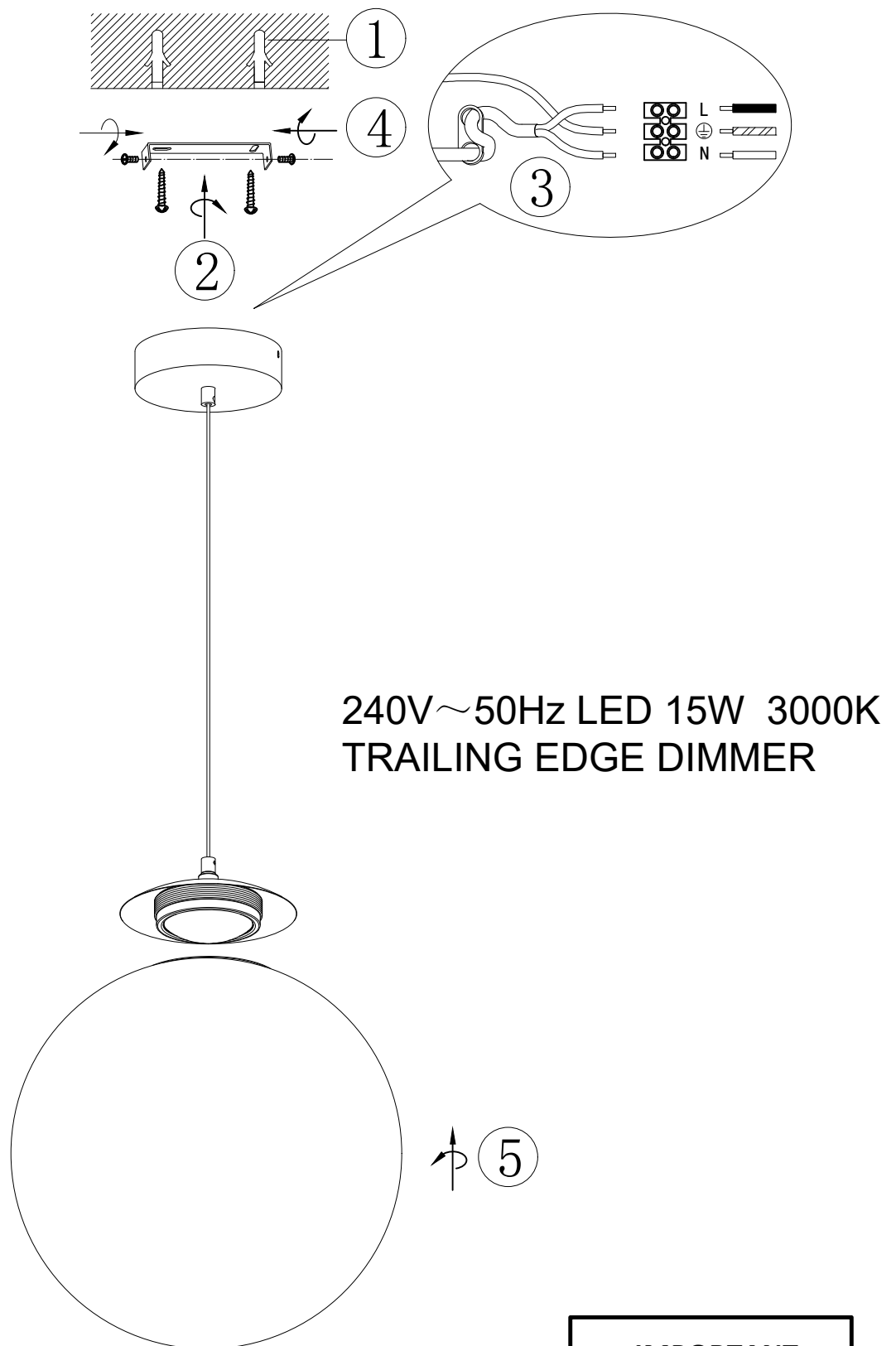


# ITEM NO.:AURORA PE40-RBW



**Telbix.**



### IMPORTANT

Must be installed by  
a qualified electrical  
contractor.  
Install in accordance  
with AS/NZS3000