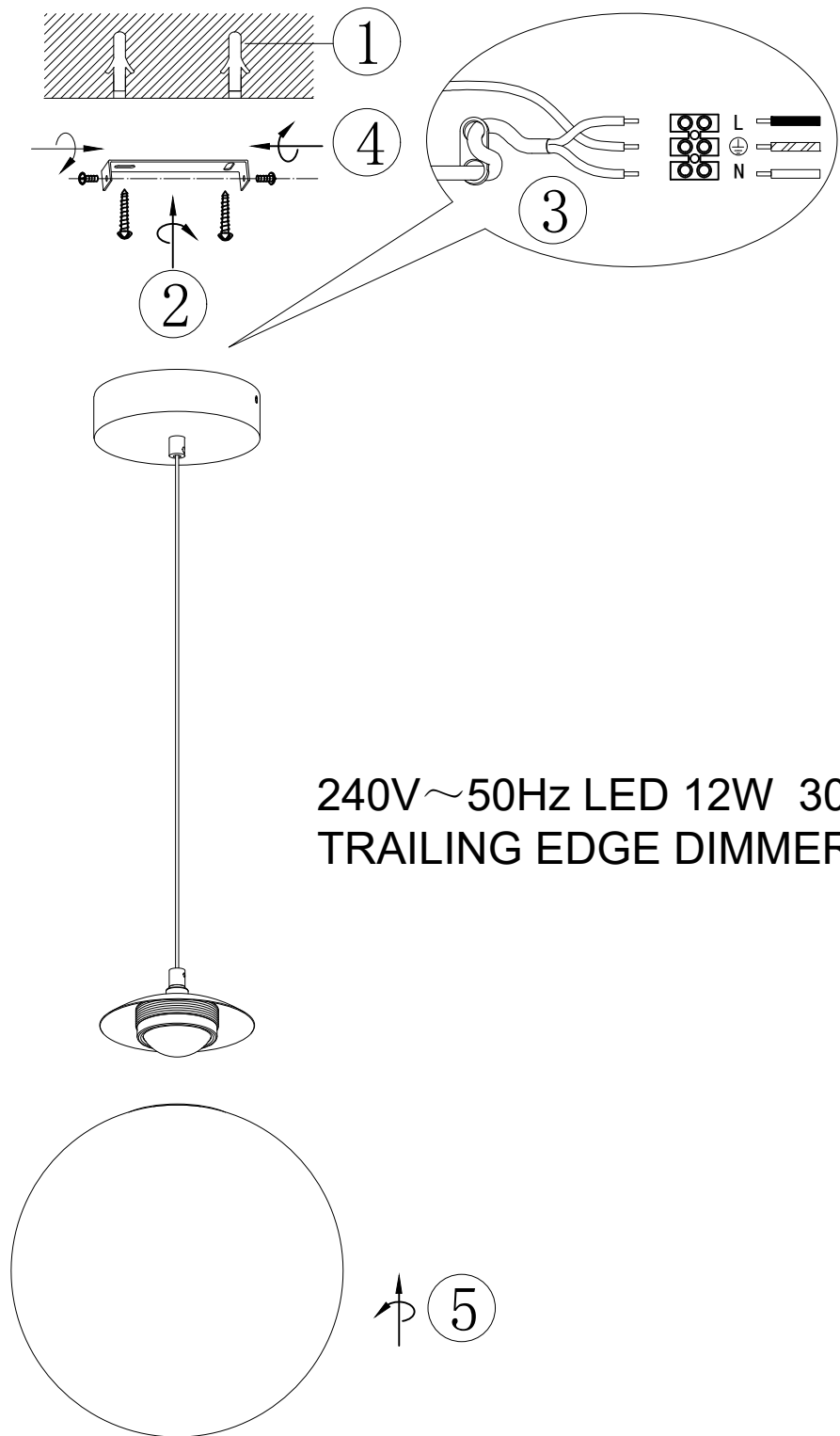


ITEM NO.:AURORA PE30-RBW



240V~50Hz LED 12W 3000K
TRAILING EDGE DIMMER

Telbix.



IMPORTANT

Must be installed by
a qualified electrical
contractor.

Install in accordance
with AS/NZS3000