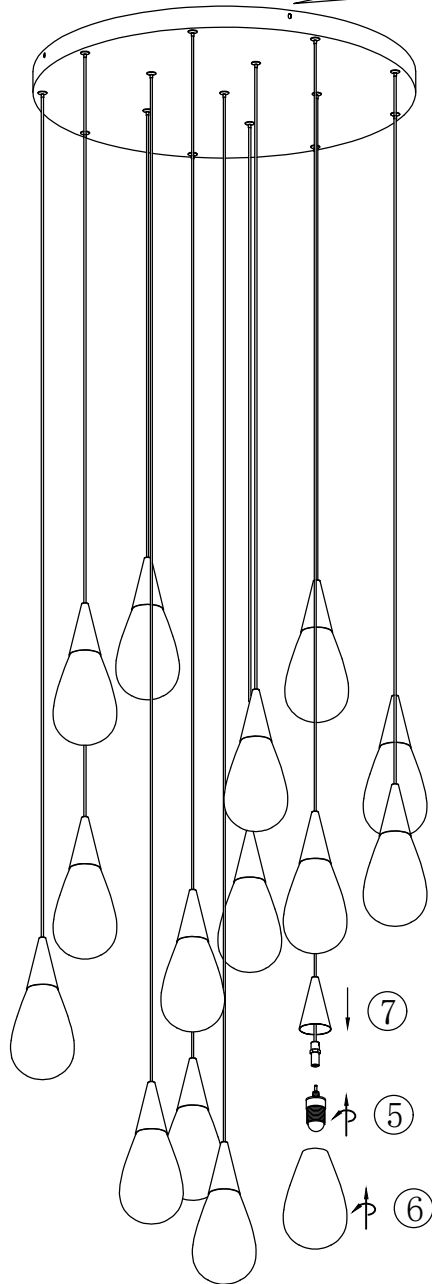
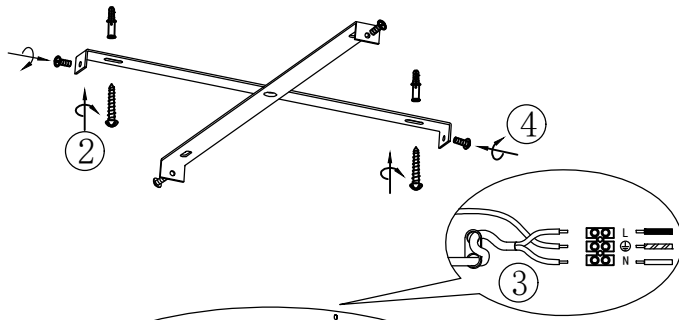
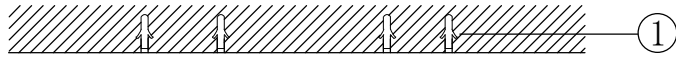


ITEM NO.: ATICO PE15



IP20

240V ~ 50Hz LED 45W 3000K
NON-DIM

Telbix.

IMPORTANT
Must be installed by
a qualified electrical
contractor.
install in accordance
with AS/NZS 3000