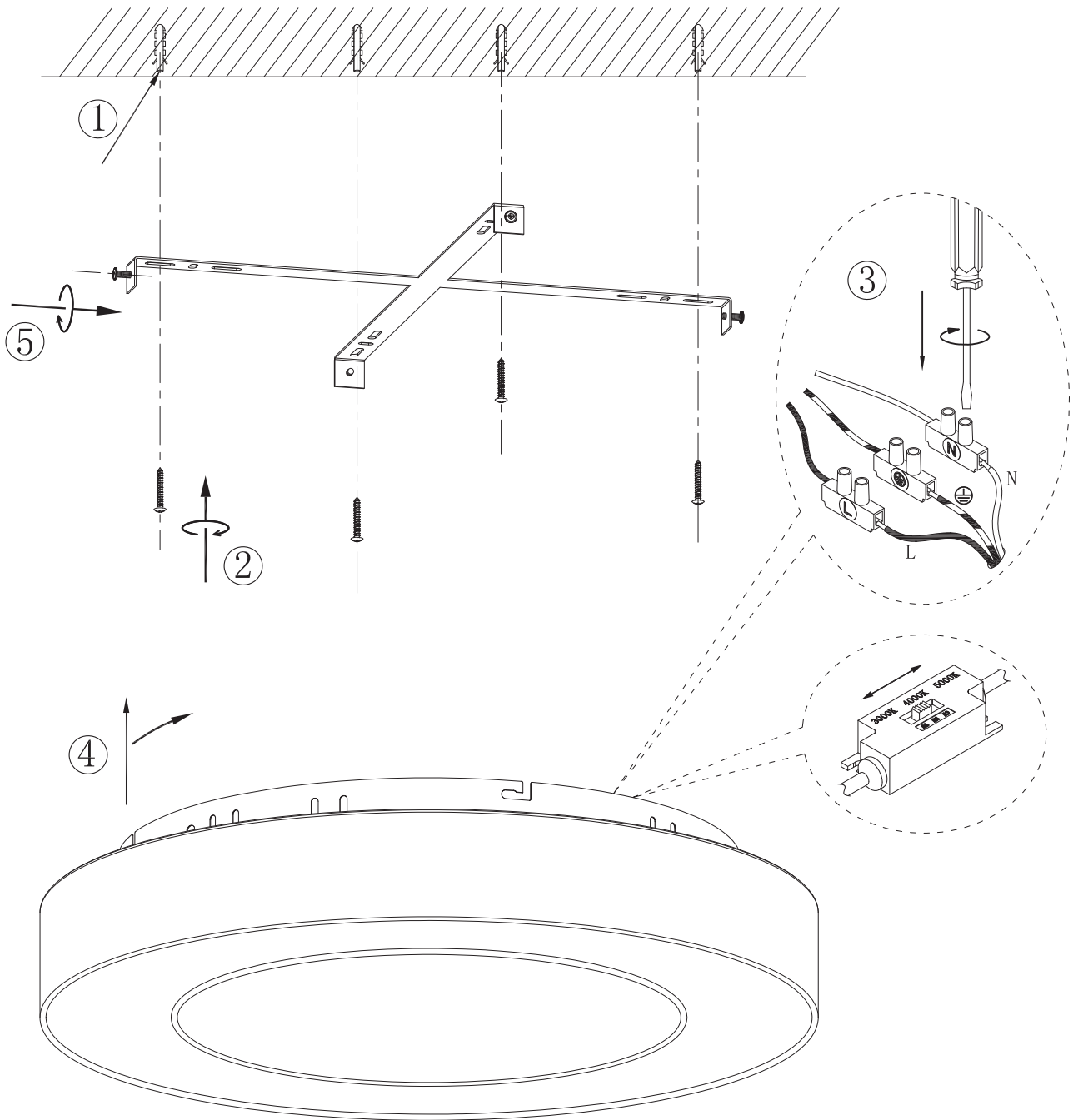


ITEM NO.:ASTANA CCT



IP20

Telbix.

240V~50Hz LED 56W
3000K-4000K-5000K
TRAILING EDGE DIMMER

IMPORTANT
Must be installed by
a qualified electrical
contractor.
Install in
accordance with
AS/NZS3000