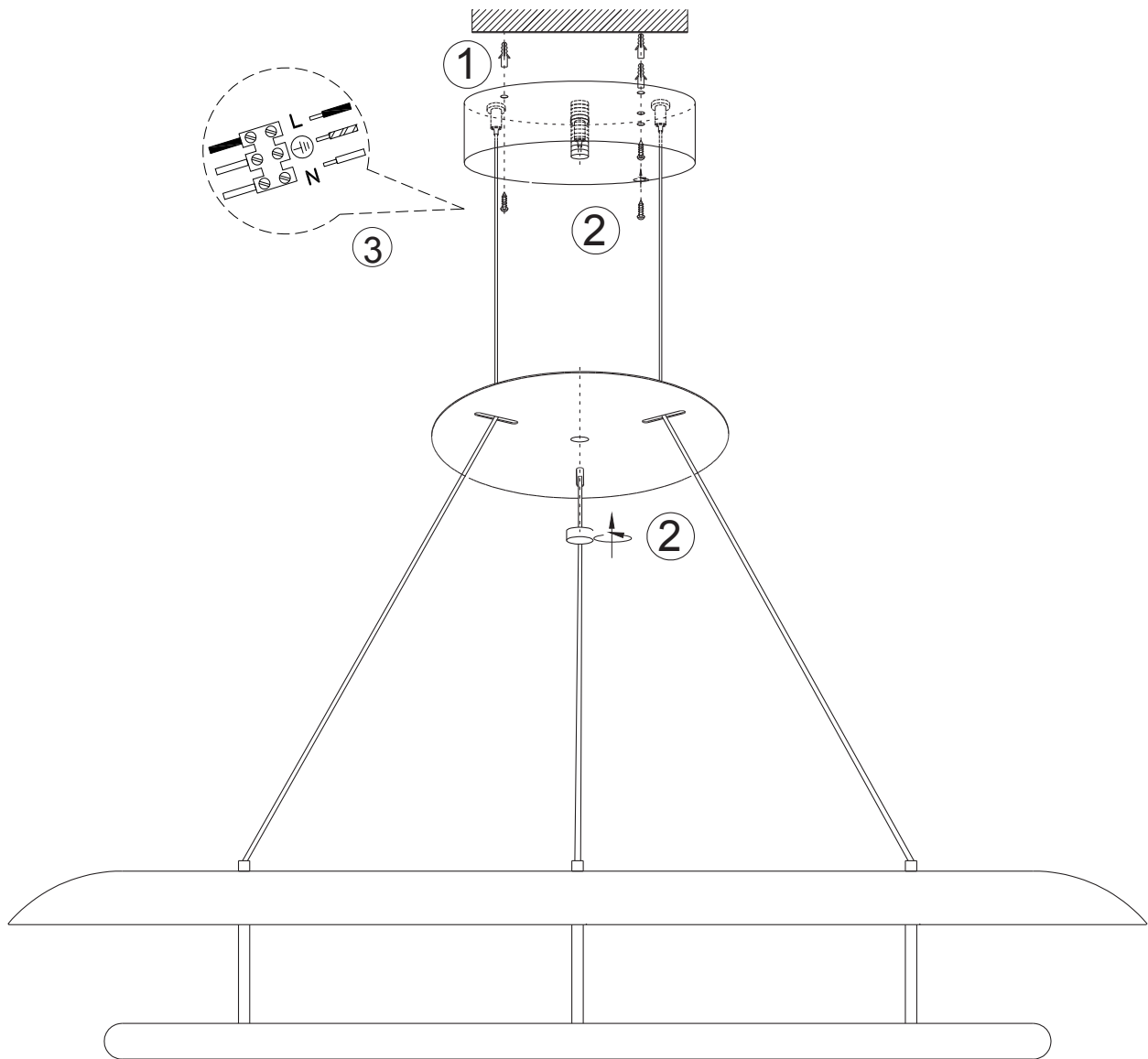


ITEM NO.: ARIVA PE62



IP20

240V ~ 50Hz LED 26W

3000K-4000K-5000K

TRAILING EDGE DIMMER

**Telbix.**

**IMPORTANT**

Must be installed by  
a qualified electrical  
contractor.

Install in  
accordance with  
AS/NSZ3000.